

SHOCK ABSORBERS

SERIES SA

7 different sizes

Threads: M8x1 - M10x1 - M12x1 - M14x1,5 - M20x1,5 - M25x1,5 - M27x1,5



- Suitable for different applications
- Usable with or without a stop collar
- Self compensating

Series SA shock absorbers exist in 7 different sizes and are used to provide impact and noise absorption when stopping objects in motion. Series SA is of a self compensating type which makes it suitable for different applications such as low load/high speed or high load/low speed applications without requiring any additional adjustments on the shock absorber. Series SA is designed so it can be used with or without a stop collar.

By using shock absorber Series SA, following advantages would be provided.

- Increased production rate;
- Reduced maintenance costs;
- Reduce noise and vibration;
- Extended life time of the machine.

GENERAL DATA

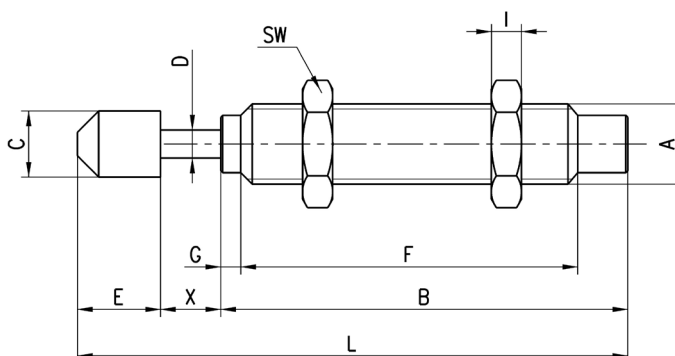
Model	SA-0806 SA-1007 SA-1210 SA-1412 SA-2015 SA-2525 SA-2725
Type of construction	Hydraulic shock absorber, self compensating
Materials	Body: steel, black coated Piston rod: carbon steel chrome plated Piston: carbon steel Sealings: NBR
Threaded body	M8x1 - M10x1 - M12x1 - M14x1,5 - M20x1,5 - M25x1,5 - M27x1,5
Absorption stroke (mm)	6; 7; 10; 12; 15; 25; 25
Max. Energy absorption per cycle, Et (Nm)	3; 6; 12; 20; 59; 80; 147.
Max. Energy absorption per hour, Etc, (Nm)	7000; 12400; 22500; 33000; 38000; 60000; 72000.
Max. effective mass Me (kg)	6; 12; 22; 40; 120; 180; 270
Max N° cycles per minute	80; 70; 40; 70; 45; 20; 10
Impact speed, v (m/s) min. - max.	0,3 - 2,5; 0,3 - 3,5; 0,3 - 4,0; 0,3 - 5,0; 0,3 - 5,0; 0,3 - 5,0; 0,3 - 5,0.
Weight (g)	15; 25; 32; 65; 150; 295; 360
Working temperature	-10°C ÷ +80°C

SHOCK ABSORBERS
SERIES SA - CODING EXAMPLE
CODING EXAMPLE

SA	-	2015
-----------	----------	-------------

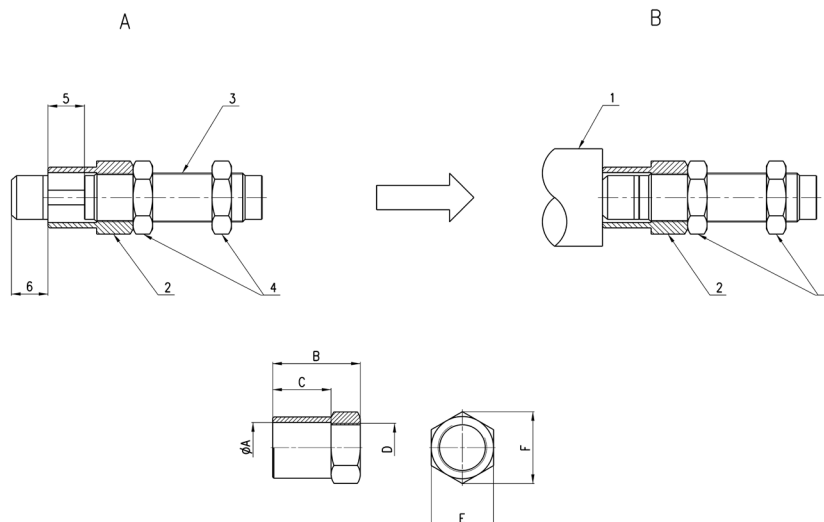
SA	SERIES
2015	SIZE/STROKE 0806 = Size M8x1 / Stroke 6 mm 1007 = Size M10x1 / Stroke 7 mm 1210 = Size M12x1 / Stroke 10 mm 1412 = Size M14x1,5 / Stroke 12 mm 2015 = Size M20x1,5 / Stroke 15 mm 2525 = Size M25x1,5 / Stroke 25 mm 2725 = Size M27x1,5 / Stroke 25 mm
	VERSION = Standard, with cap W = Without cap (on request)

PNEUMATIC ACTUATION

1
Shock Absorbers Series SA


Mod.	A	B	C	D	E	F	G	I	L	SW	X	Weight [g]
SA-0806W	M8x1	40,6	-	2,9	-	33,6	2	3	-	11	6	15
SA-0806	M8x1	40,6	6,6	2,9	8,8	33,6	2	3	55,4	11	6	17
SA-1007W	M10x1	47	-	3	-	39	3	3	-	12,7	7	25
SA-1007	M10x1	47	8,6	3	8,6	39	3	3	62,6	12,7	7	28
SA-1210W	M12x1	52,5	-	3	-	44	3	4	-	14	10	29
SA-1210	M12x1	52,5	10,3	3	8,8	44	3	4	71,3	14	10	32
SA-1412W	M14x1,5	67	-	4	-	58	4	5	-	19	12	65
SA-1412	M14x1,5	67	12	4	10,5	58	4	5	89,5	19	12	70
SA-2015W	M20x1,5	73	-	6	-	62	4	7	-	26	15	150
SA-2015	M20x1,5	73	17,8	6	15,8	62	4	7	103,8	26	15	160
SA-2525W	M25x1,5	92	-	8	-	82	-	9	-	32	25	280
SA-2525	M25x1,5	92	22	8	19	82	-	9	136	32	25	295
SA-2725W	M27x1,5	99	-	8	-	86	5	6,5	-	32	25	360
SA-2725	M27x1,5	99	22	8	19	86	5	6,5	143	32	25	375

Adjusted stroke nut Mod. SA



- A = Initial position**
- B = Final position**
- 1 = Impact object**
- 2 = Adjusted stroke nut**
- 3 = Shock absorber**
- 4 = Fixing screw**
- 5 = Stroke**
- 6 = Stroke length**

Mod.		ØA	B	C	D	E	F
SA-08SC	(for SA-0806)	10,5	14	9	M8x1	11	12,7
SA-10SC	(for SA-1007)	12	16	10	M10x1	13	14,7
SA-12SC	(for SA-1210)	14,5	20	13	M12x1	16	18,5
SA-14SC	(for SA-1412)	14,5	27	15	M14x1,5	19	21,9
SA-20SC	(for SA-2015)	27,8	35	20	M20x1,5	26	30
SA-25SC	(for SA-2525)	5,8	45	30	M25x1,5	32	37
SA-27SC	(for SA-2725)	20,7	65	50	M27x1,5	32	37