

# Series SA shock absorbers

7 different sizes

Threads: M8x1 - M10x1 - M12x1 - M14x1,5 -  
M20x1,5 - M25x1,5 - M27x1,5



- » Suitable for different applications
- » Usable with or without a stop collar
- » Self compensating

By using shock absorber Series SA, following advantages would be provided.

- Increased production rate
- Reduced maintenance costs
- Reduce noise and vibration
- Extended life time of the machine.

Series SA shock absorbers exist in 7 different sizes and are used to provide impact and noise absorption when stopping objects in motion. Series SA is of a self compensating type which makes it suitable for different applications such as low load/high speed or high load/low speed applications without requiring any additional adjustments on the shock absorber.

Series SA is designed so it can be used with or without a stop collar.

## GENERAL DATA

<b>Model</b>	SA-0806 SA-1007 SA-1210 SA-1412 SA-2015 SA-2525 SA-2725
<b>Type of construction</b>	Hydraulic shock absorber, self compensating
<b>Materials</b>	Body: steel, black coated Piston rod: carbon steel chrome plated Piston: carbon steel Sealings: NBR
<b>Threaded body</b>	M8x1 M10x1 M12x1 M14x1,5 M20x1,5 M25x1,5 M27x1,5
<b>Absorption stroke (mm)</b>	6 7 10 12 15 25 25
<b>Max. Energy absorption per cycle, Et (Nm)</b>	3 6 12 20 59 80 147
<b>Max. Energy absorption per hour, Etc, (Nm)</b>	7000 12400 22500 33000 38000 60000 72000
<b>Max. effective mass Me (kg)</b>	6 12 22 40 120 180 270
<b>Max N° cycles per minute</b>	80 70 40 70 45 20 10
<b>Impact speed, v (m/s)</b>	0,3 - 2,5 0,3 - 3,5 0,3 - 4,0 0,3 - 5,0
<b>min. - max.</b>	0,3 - 5,0 0,3 - 5,0 0,3 - 5,0
<b>Weight (g)</b>	15 25 32 65 150 295 360
<b>Working temperature (°C)</b>	-10°C ÷ +80°C

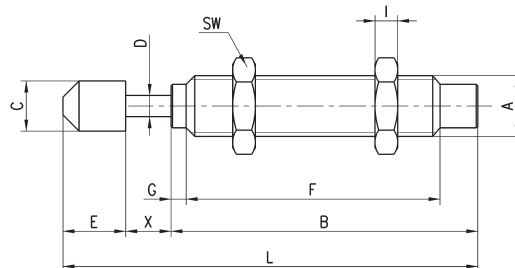
**CODING EXAMPLE**

<b>SA</b>	-	<b>2015</b>	
-----------	---	-------------	--

<b>SA</b>	SERIES
<b>0806</b>	<p>SIZE/STROKE            0806 = Size M8 x 1 / Stroke 6 mm            1007 = Size M10 x 1 / Stroke 7 mm            1210 = Size M12 x 1 / Stroke 10 mm            1412 = Size M14 x 1,5 / Stroke 12 mm            2015 = Size M20 x 1,5 / Stroke 15 mm            2525 = Size M25 x 1,5 / Stroke 25 mm            2725 = Size M27 x 1,5 / Stroke 25 mm</p>
	<p>VERSION            = standard, with cap            W = Without cap (on request)</p>

SERIES SA SHOCK ABSORBERS

**Shock Absorbers Series SA**

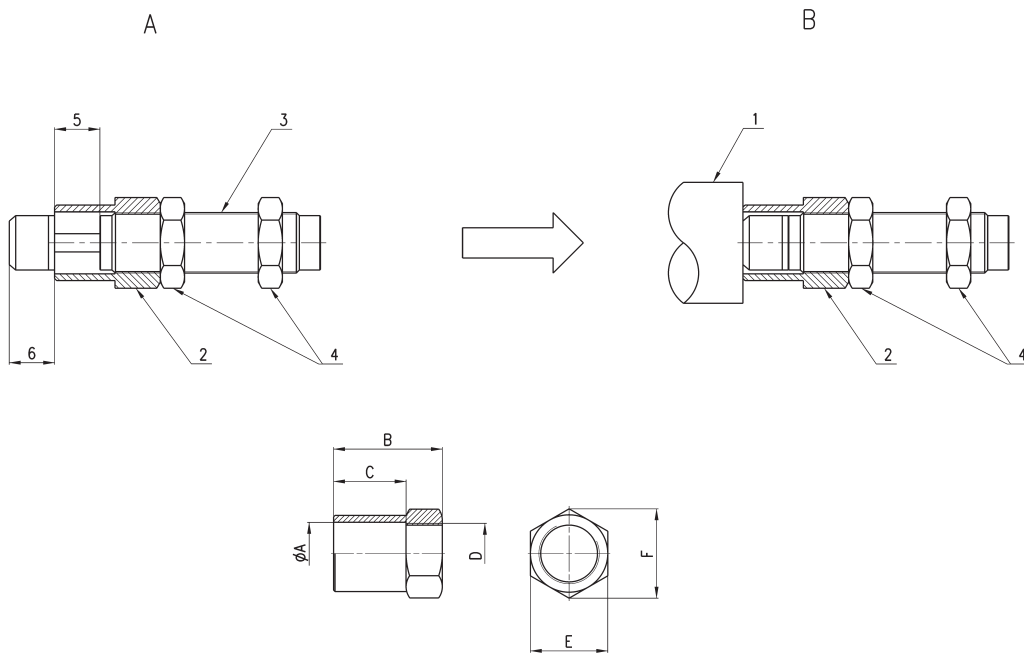


DIMENSIONS												
Mod.	A	B	C	D	E	F	G	I	L	SW	X	Weight (g)
SA-0806W	M8X1	40.6	-	2.9	-	33.6	2	3	-	11	6	15
SA-0806	M8X1	40.6	6.6	2.9	8.8	33.6	2	3	55.4	11	6	17
SA-1007W	M10X1	47	-	3	-	39	3	3	-	12.7	7	25
SA-1007	M10X1	47	8.6	3	8.6	39	3	3	62.6	12.7	7	28
SA-1210W	M12X1	52.5	-	3	-	44	3	4	-	14	10	29
SA-1210	M12X1	52.5	10.3	3	8.8	44	3	4	71.3	14	10	32
SA-1412W	M14X1.5	67	-	4	-	58	4	5	-	19	12	65
SA-1412	M14X1.5	67	12	4	10.5	58	4	5	89.5	19	12	70
SA-2015W	M20X1.5	73	-	6	-	62	4	7	-	26	15	150
SA-2015	M20X1.5	73	17.8	6	15.8	62	4	7	103.8	26	15	160
SA-2525W	M25X1.5	92	-	8	-	82	-	9	-	32	25	280
SA-2525	M25X1.5	92	22	8	19	82	-	9	136	32	25	295
SA-2725W	M27X1.5	99	-	8	-	86	5	6.5	-	32	25	360
SA-2725	M27X1.5	99	22	8	19	86	5	6.5	143	32	25	375

## Adjusted stroke nut

A = Initial position  
B = Final position

1 = Impact object  
2 = Adjusted stroke nut  
3 = Shock absorber  
4 = Fixing screw  
5 = Stroke  
6 = Stroke length



DIMENSIONS							
Mod.		Ø A	B	C	D	E	F
SA-08SC	(for SA-0806)	10.5	14	9	M8X1	11	12.7
SA-10SC	(for SA-1007)	12	16	10	M10X1	13	14.7
SA-12SC	(for SA-1210)	14.5	20	13	M12X1	16	18.5
SA-14SC	(for SA-1412)	14.5	27	15	M14X1	19	21.9
SA-20SC	(for SA-2015)	27.8	35	20	M20X1.5	26	30
SA-25SC	(for SA-2525)	5.8	45	30	M25X1.5	32	37
SA-27SC	(for SA-2725)	20.7	65	50	M27X1.5	32	37