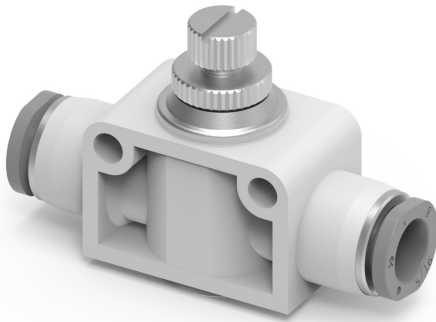


FLOW CONTROL - UNION STRAIGHT

MOD. CLF - INCH



Flow Controls

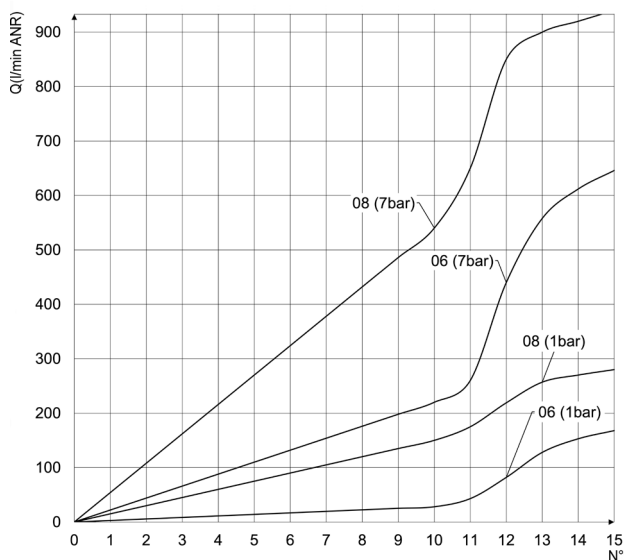
Flow controls are unidirectional.

General Data

Applicable fluid	Compressed air (Not applicable to gases or liquids)
Operating pressure	150 PSI / 10.3 Bar 14.5 - 150 PSI (Flow Control Valve) The combination with the applied tube shall be decided based on the maximum operating pressure of the tube
Cracking pressure [bar]	1.5-3 PSI (Check Valve)
Negative pressure	29.5" Hg (Check Valve and Ball Valve only)
Operating temperature range	32~140° F / 0~60°C

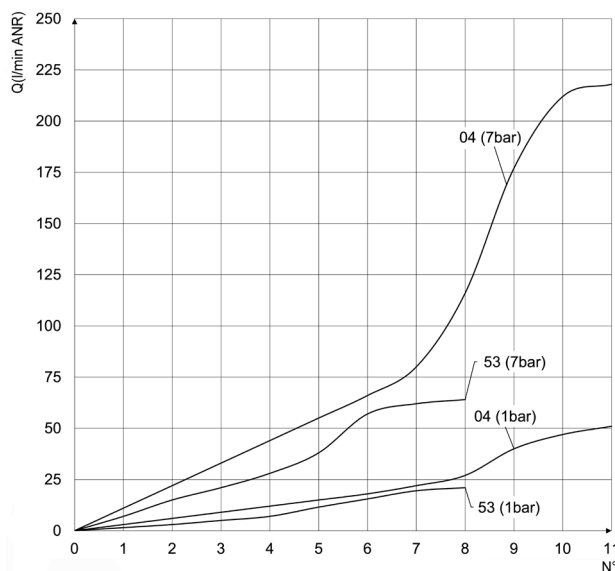
Flow diagrams (1 → 2) - valves Series CLF

CLF-T



N° = Number of screw turns
 Q = Flow

CLF-T2



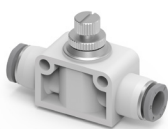
N° = Number of screw turns
 Q = Flow

VALVES AND SOLENOID VALVES

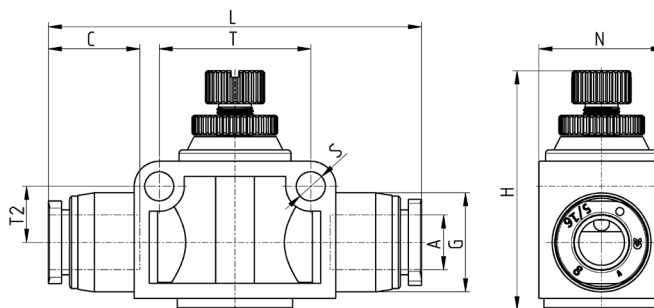
6

Flow control - Union straight Mod. CLF-T

News



RFU1



Mod.	A OD	C	G	H Min.	H Max.	L	N	S	T	T2	Weight (lb)	Weight [g]
CLF-T-04-U	1/4	0,661	0,512	1,319	1,492	1,972	0,630	0,169	0,803	3,071	0,065	29,40
CLF-T-06-U	3/8	0,791	0,689	1,602	1,917	2,480	0,906	0,169	1,087	0,417	0,186	84,40
CLF-T-08-U	1/2	0,909	0,827	1,772	2,106	2,909	1,043	0,173	1,276	0,469	0,273	124,00