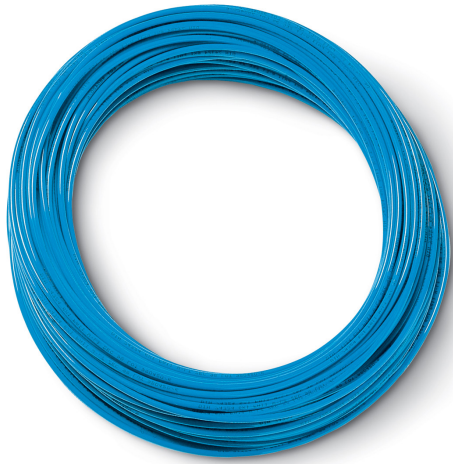


# TUBES AND SPIRALS

## SERIES T

Tubes: reinforced PVC, Polyamide (PA) 12, Hytrel Polyester, Polyethylene (PE), Polyurethane (PU).  
Diameters: 4/2, 5/3, 6/4, 8/6, 10/8, 12/10, 15/12,5 mm



Camozzi offers a range of tubes and spirals with specific features which are suitable for several technical requirements. Thanks to high-quality raw materials and with a low specific weight, these products are very small and lightweight. They also show high resistance against stress and flexural vibrations.

The high specularity of internal surfaces for the fluid passage (roughness of about 6 micron) allows to reduce the loosening of loads and to reach very high flows with same diameters. Technopolymers used are particularly resistant to aging, thus ensuring the product a very long life.

## Tubes Mod. PV



Tubes in reinforced PVC  
Standard colour: Blue

Mod.	D/d	Max. pressure at 20°C [bar]	Weight [g/m]	Bend radius [mm]	Lot [m]
PV 6/4	6/4	40	22	50	50
PV 8/6	8/6	38	30	60	50
PV 10/8	10/8	30	40	65	50
PV 12/10	12/10	24	56	80	50
PV 15/12,5	15/12,5	18	70	90	50

## Tubes Mod. TRN



Standard colour: Neutral  
Colours available on request:  
Blue - Red - Green - Black - Yellow

Mod.	D/d	Max. pressure at 20°C [bar]	Weight [g/m]	Bend radius [mm]	Lot [m]
TRN 4/2	4/2	44	9,7	16	100
TRN 5/3	5/3	33	12,9	20	100
TRN 6/4	6/4	28	16,2	30	100
TRN 8/6	8/6	20	22,6	40	100
TRN 10/8	10/8	16	29,1	60	50
TRN 12/10	12/10	12	35,6	85	50

## Tubes Mod. TRH



Tubes in Hytrel polyester

Standard colour: Blue  
 Colours available on request:  
 Red - Green - Black - Yellow - White

Mod.	D/d	Max. pressure at 23°C [bar]	Weight [g/m]	Bend radius [mm]	Lot [m]
TRH 4/2-Z	4/2	32	11,5	16	100
TRH 5/3-Z	5/3	27	15,3	25	100
TRH 6/4-Z	6/4	21	19,2	35	100
TRH 8/6-Z	8/6	15	26,8	65	100
TRH 10/8-Z	10/8	12	34,5	100	50
TRH 12/10-Z	12/10	10	42,1	125	50

## Tubes Mod. TPE



Standard colour: Neutral  
 Colours available on request: Blue

Mod.	D/d	Max. pressure at 23°C [bar]	Weight [g/m]	Bend radius [mm]	Lot [m]
TPE 5/3	5/3	17	11,3	23	100
TPE 6/4	6/4	13	14,1	32	100
TPE 8/6	8/6	10	19,8	43	100
TPE 10/8	10/8	7	25,4	76	100

**TUBES AND SPIRALS**  
**SERIES T - DIMENSIONS**
**Tubes Mod. TPC**


Standard colour: Grey RAL 7012

Mod.	D/d	Max. pressure at 20°C [bar]	Weight [g/m]	Bend radius [mm]	Lot [m]
TPC 4/2	4/2	19	11,5	11	100
TPC 6/4	6/4	13	19,2	18	100
TPC 8/6	8/6	9	26,8	35	100
TPC 10/8	10/8	7	34,5	45	100
TPC 12/8	12/8	9	76,6	50	100

FITTINGS, CONNECTORS AND TUBES

**Tubes Mod. TSP**

 Standard colour: Blue  
 Other colours available on request

Mod.	D/d	Max. pressure at 20°C [bar]	External Ø	Closed length [mm]	Open length [mm]
TSP 6/4	6/4	20	64	1000	15000
TSP 8/6	8/6	14	86	1000	15000
TSP 10/8	10/8	11	102	1050	15000
TSP 12/10	12/10	9	126	1050	15000

## Tube cutter tool

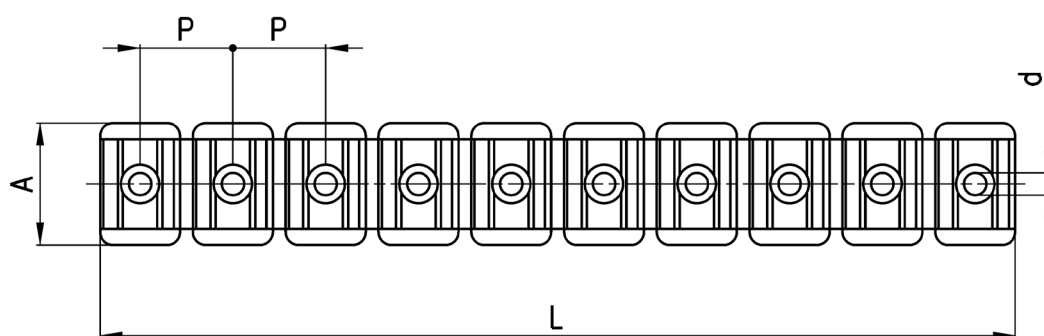


Mod.		Package [pcs]
PNZ-12	able to cut tubes with $\varnothing$ up to 12 mm	1
PNZ-25	able to cut tubes with $\varnothing$ up to 25 mm	1

## Plastic tubes clamps

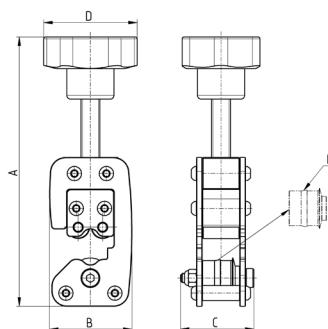


Colour: Blue



Mod.	Tube $\varnothing$	L	A	D	P	Number of positions
MPL-4	4	114	19	3	11,7	10
MPL-6	6	114	19	5	11,7	10
MPL-8	8	143	19	7	14,6	10
MPL-10	10	172	19	9	17,4	10
MPL-12	12	162	19	11	20,5	8
MPL-14	14	86	19	13	22,5	4

## Grooving tool for metallic tubes



Mod.	Tube $\varnothing$	A [max]	B	C	D	Weight [g]	E [spare wheel]
8TRT 4	4	138	43,5	39	50	450	RTRT 4
8TRT 6	6	140	43,5	39	50	450	RTRT 6
8TRT 8	8	143	43,5	39	50	450	RTRT 8
8TRT 10	10	145	44	39	50	450	RTRT 10
8TRT 12	12	147	44,5	39	50	450	RTRT 12
8TRT 14	14	149	45	39	50	450	RTRT 14
8TRT 16	16	151	45	39	50	450	RTRT 16