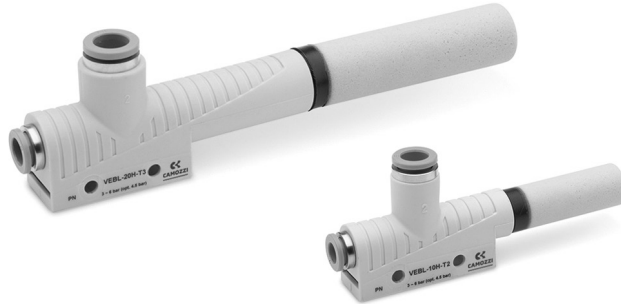


# Series VEBL basic ejectors

Basic ejectors in technopolymer without moving parts, based on the Venturi principle.

Different sizes available, with internal nozzle from 0,5 to 2,5 mm and with suction rate from 8 to 207 l/min.



- » No moving parts for long life and low maintenance
- » Reduced weight
- » Rapid generation of vacuum
- » Easy installation, on proper support too
- » Optimized dimensions

Series VEBL basic ejectors are universal ejectors made in technopolymer suitable for several industrial applications such as:

- Industrial robotics in most sectors
- Wood industry
- Packaging industry
- Food industry

## GENERAL DATA

**Description** Basic ejector

**Materials**

- body in technopolymer
- silencier in technopolymer
- internal nozzle in brass

**CODING EXAMPLE**

<b>VEBL</b>	<b>-</b>	<b>10H</b>	<b>-</b>	<b>T2</b>
-------------	----------	------------	----------	-----------

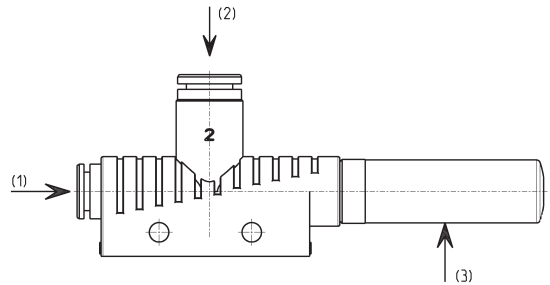
<b>VEBL</b>	SERIES VEBL = Vacuum ejector
<b>10H</b>	NOZZLE DIAMETER 05H = 0,5 mm 07H = 0,7 mm 10H = 1 mm 15H = 1,5 mm 20H = 2 mm 25H = 2,5 mm
<b>T2</b>	TYPE OF CONNECTION (ON SUPPLY SIDE) T1 = plier - tube Ø4 T2 = plier - tube Ø6 T3 = plier - tube Ø8

SERIES VEBL BASIC EJECTORS

**TECHNICAL DATA**



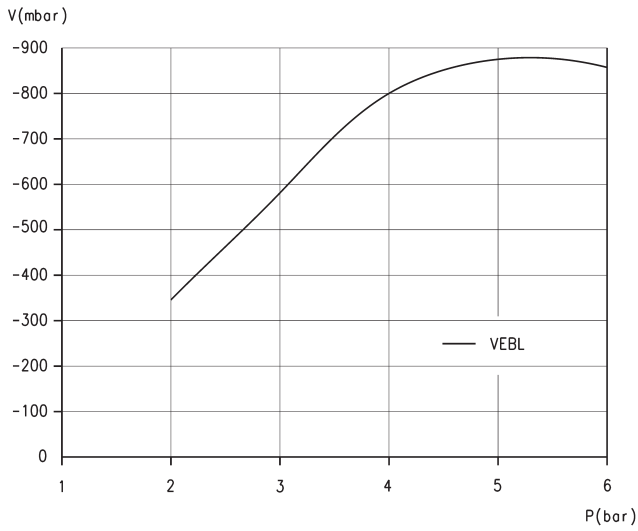
- 1 = Compressed air inlet
- 2 = Vacuum inlet
- 3 = Exhaust



Usable fluids: compressed air, oilied and not, according to ISO 8573-1:2001 class 7-4-4

TECHNICAL DATA												
Mod.	Ø nozzle (mm)	Obtainable relative pressure (mbar)	Vacuum flow (l/min)	Air consumption (l/min)	Operating pressure (bar)	Optimum operating pressure (bar)	Operating temperature (bar)	Noise level gripped [dB(A)]	Noise level free [dB(A)]	Weight (kg)	Suggested internal Ø for tubes [mm] up to 2m	Max n° of ejectors for one support
VEBL-05H-T1	0,5	-840	8	13,5	3...6	4,5	0...60	53	58	0,0075	2/2	11
VEBL-07H-T1	0,7	-850	16	22	3...6	4,5	0...60	59	65	0,0075	2/2	11
VEBL-10H-T2	1	-850	38	48	3...6	4,5	0...60	59	65	0,022	4/6	7
VEBL-15H-T2	1,5	-850	71	105	3...6	4,5	0...60	65	72	0,022	4/6	7
VEBL-20H-T3	2	-850	127	197	3...6	4,5	0...60	68	77	0,050	6/8	5
VEBL-25H-T3	2,5	-850	215	311	3...6	4,5	0...60	70	78	0,050	6/8	5

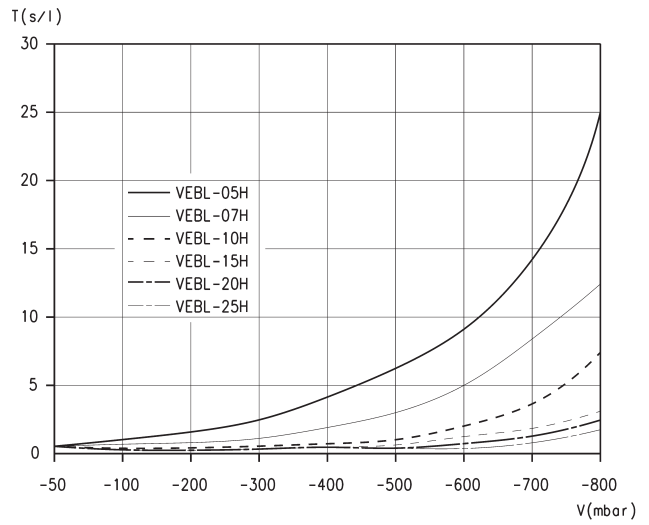
**Diagrams VEBL**



**LEGEND:**

V = Vacuum values  
P = Working pressure

Note: vacuum reachable with different supply pressures

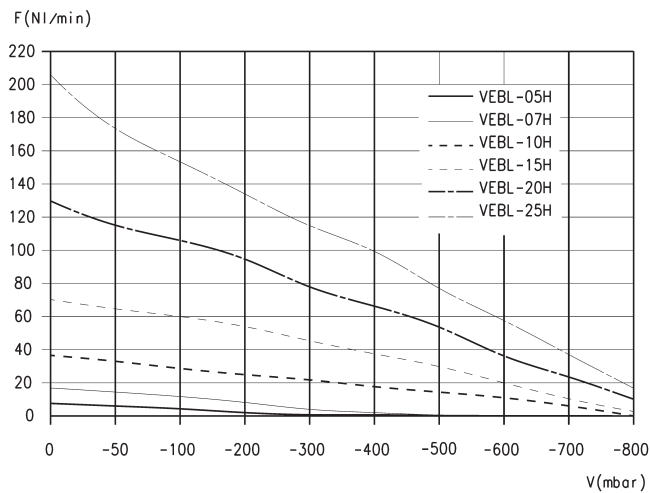


**LEGEND:**

T = Evacuation time  
V = Vacuum values

Note: evacuation time for different vacuum values

**Diagrams VEBL**

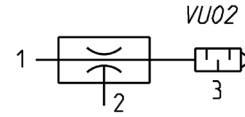


**LEGEND:**

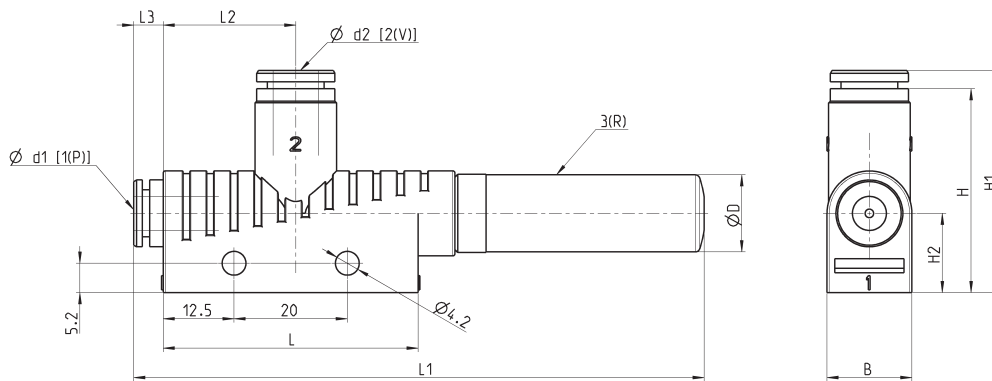
F = Suction rate  
V = Vacuum values

Note: Suction rate with different vacuum values

**Ejectors VEBL-05H...25H**

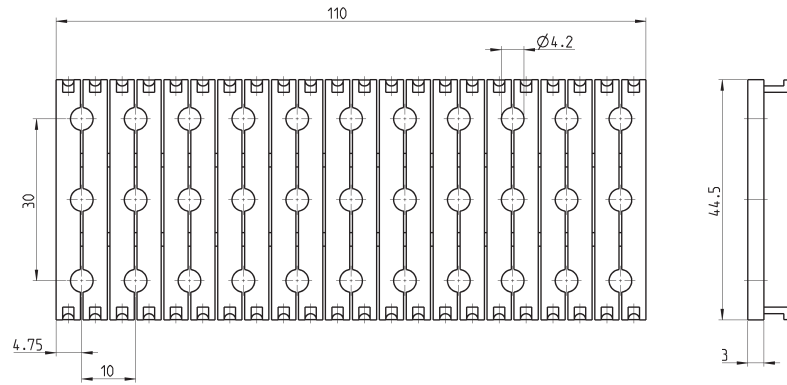
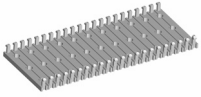


[ P ] = Pressure  
[ V ] = Vacuum  
[ R ] = Exhaust



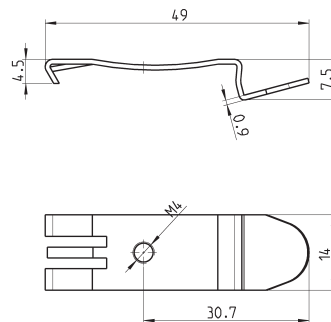
DIMENSIONS											
Mod.	B	d1	d2	D	H	H1	H2	L	L1	L2	L3
VEBL-05H-T1	10	4	4	9	26	28	12	45	71	18	2
VEBL-07H-T1	10	4	4	9	26	28	12	45	71	18	2
VEBL-10H-T2	15	6	8	14	34	40	14	51,5	97	22	5,5
VEBL-15H-T2	15	6	8	14	34	40	14	51,5	97	22	5,5
VEBL-20H-T3	20	8	10	20	39	45,5	17	86,5	168	24,5	5,5
VEBL-25H-T3	20	8	10	20	39	45,5	17	86,5	168	24,5	5,5

**Accessories VEBL-ST**



Mod.  
**VEBL-ST**

**Accessories VEBL-PCF**



Mod.  
**VEBL-PCF**