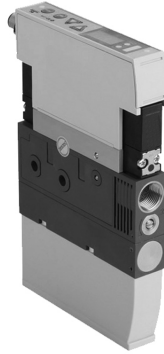


# Compact ejectors Series VEN



Compact vacuum generators with a high suction capacity and reduced air consumption.

Nozzle diameter: 2.0 - 2.5 mm



- » Easy monitoring of system conditions thanks to the large, bright display
- » I/O Link version
- » Reduced energy costs
- » Contained dimensions
- » Optimum weight for high accelerations

Series VEN compact ejectors are available in two sizes (20 and 25) with I/O-Link communication and air saving circuit (I). This series is suitable for handling smooth, non porous or slightly porous items in vacuum applications with very swift pick & place operations. These devices are frequently used in automated pick & place systems in processing metal sheets, in the automotive industry, in packaging machines and robotics.

## GENERAL DATA

<b>Description</b>	Basic ejector
<b>Materials</b>	Technopolymer body Brass nozzle
<b>Suction capacity</b>	From 140 to 195 l/min.
<b>Vacuum max.</b>	85 %
<b>Nozzle</b>	2.0 mm (20) - 2.5 mm (25)

**CODING EXAMPLE**

<b>VEN</b>	<b>-</b>	<b>20</b>	<b>NC</b>	<b>-</b>	<b>I</b>
------------	----------	-----------	-----------	----------	----------

<b>VEN</b>	SERIES VEN = Vacuum ejector
<b>20</b>	NOZZLE DIAMETER 20 = 2.0 mm 25 = 2.5 mm
<b>NC</b>	VALVE FUNCTION NC = Normally Closed (at rest, no vacuum generation) NO = Normally Open (at rest, vacuum is present)
<b>I</b>	VERSION: I = with air saving circuit and I/O Link communication

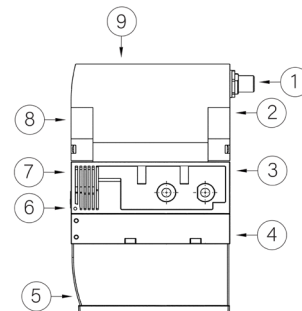
SERIES VEN COMPACT EJECTORS

**TECHNICAL DATA**



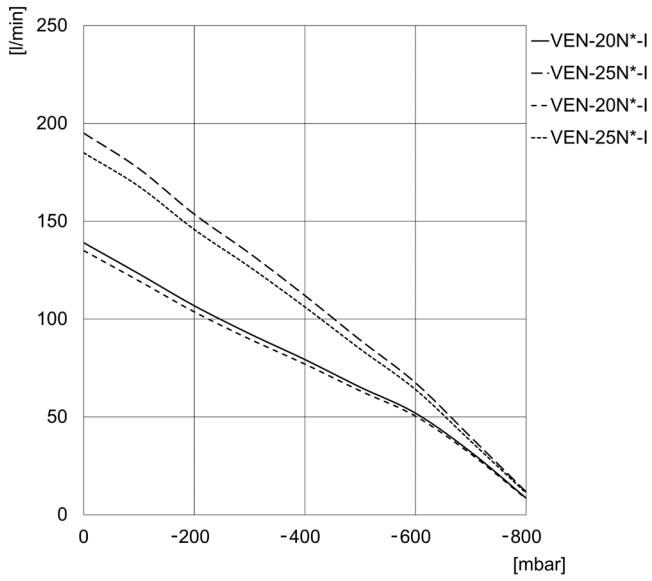
**EJECTOR SYSTEM:**

- 1 = Electrical connection M12
- 2 = Pneumatic valves
- 3 = Pneumatic connections (G3/8 e G1/4)
- 4 = Power blow off piston SMPi
- 5 = Integrated silencer
- 6 = Adjusting screw

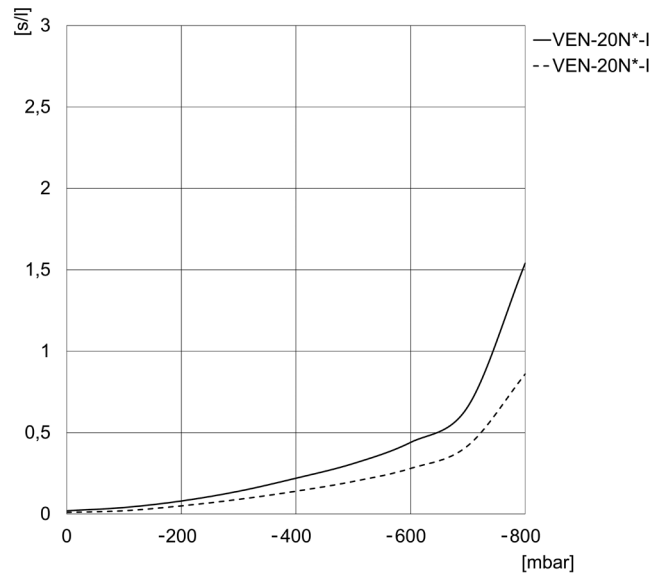


TECHNICAL DATA												
Mod.	Nozzle Ø (mm)	Degree of evacuation (%)	Suction rate max. (l/min)	Suction rate max. (m <sup>3</sup> /h)	Air consumption (l/min)	Air consumption (m <sup>3</sup> /h)	Air cons. blow- off (l/min)	Noise level workp. gripped [db(A)]	Noise level free [db(A)]	Optimum working pressure (bar)	Temperature range	
<b>VEN-20N<sup>o</sup>-I</b>	2	85	140	8,4	180	11,7	200	65	75	4-7	6 8	0 / 50°C
<b>VEN-25N<sup>o</sup>-I</b>	2,5	85	195	11,7	290	17,4	200	75	78	4-7	8 9	0 / 50°C

**Diagrams VEN**



Suction rate with different vacuum values



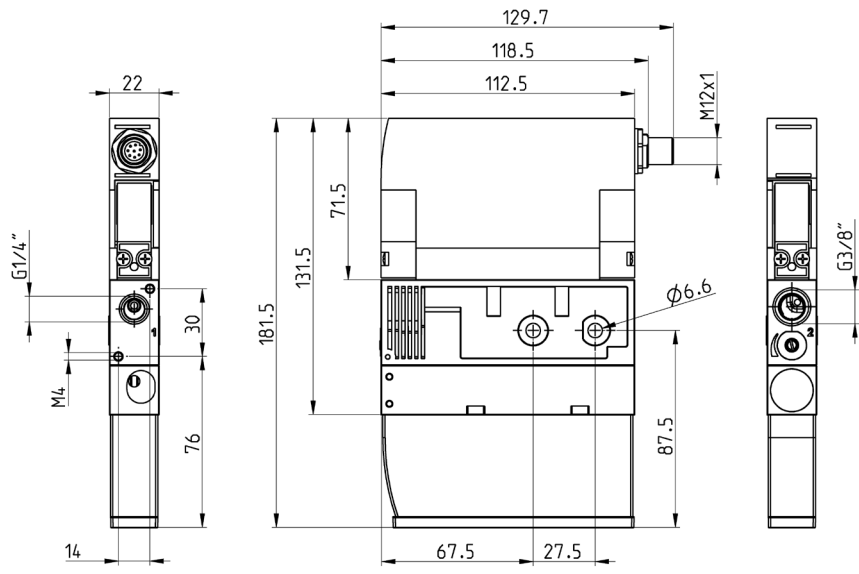
Evacuation time for different vacuum values

SERIES VEN COMPACT EJECTORS



**VEN EJECTORS 20 - 25**

SERIES VEN COMPACT EJECTORS

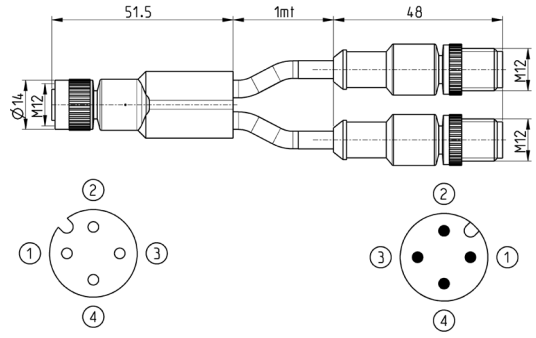


Mod.
VEN- <sup>**</sup> N <sup>*</sup> -I

### Y-cable with straight M12 - 4 pin connectors



Cable for power supply and control of blow-off and suction valves, single connector

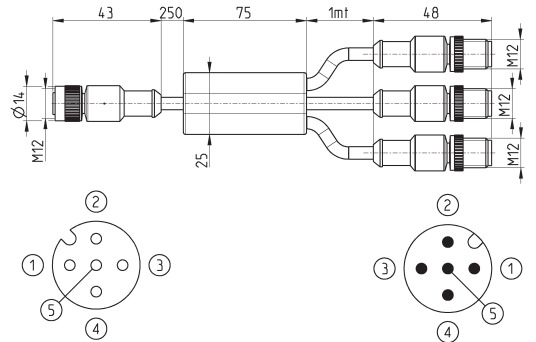


Mod.	description	type of connector	connection	L [ cable length ] (m)
SCP-CS-Y-A	moulded cable	straight	M12, 4 pin male/female	1

### Y-cable with straight M12 - 5 pin connectors



Cable for power supply and control of blow-off and suction valves

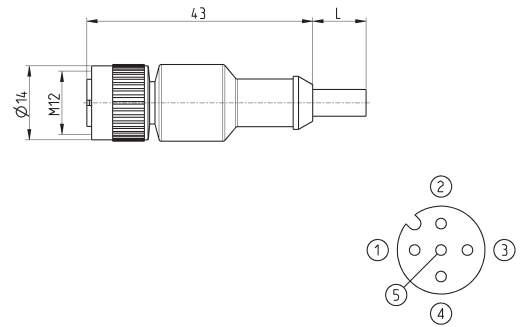


Mod.	description	type of connector	connection	L [ cable length ] (m)
SCP-CS-Y-B	moulded cable	straight	M12, 5 pin male/female	1

### Cable with straight M12 - 5 pin connector



Cable for power supply and control of blow-off and suction valves, single connector



Mod.	description	type of connector	connection	L [ cable length ] (m)
CS-LF05HB-C500	moulded cable	straight	M12, 5 pin female	5