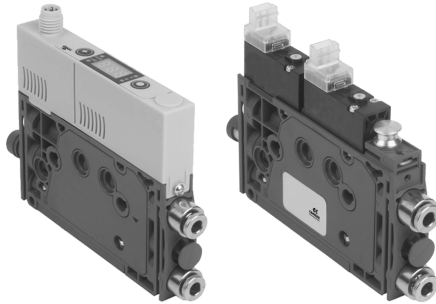


Compact ejectors Series VEQ



Ultra-compact vacuum generators with a high suction capacity with contained dimensions.
Nozzle diameter: 0.5 - 0.7 - 1.0 mm



- » I/O Link version
- » Easy monitoring of system conditions thanks to the bright display
- » Compact and extremely robust unit for direct assembly on the handling system

Series VEQ compact ejectors are available in three versions: with control solenoid valves without air saving circuit (B), with digital inputs and air saving circuit (S) and with I/O-Link communication and air saving circuit (I).

Extreme compactness and reduced weight make this series the perfect solution for handling smooth, non porous items in dynamic pick & place applications with short cycle times. These devices are frequently used in automated systems like robots and gantry systems, for the handling of glass panes, plastic items, displays, printed circuit boards and electronic components or batteries.

GENERAL DATA

Description	Basic ejector
Materials	Technopolymer body Brass nozzle
Suction capacity	From 7.5 to 28 l/min.
Vacuum max.	87 %
Nozzle	0.5 mm (5) - 0.7 mm (7) - 1.0 mm (10)

CODING EXAMPLE

VEQ	-	05	NC	-	S
------------	----------	-----------	-----------	----------	----------

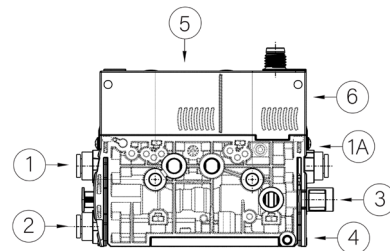
VEQ	SERIES VEQ = Vacuum ejector
05	NOZZLE DIAMETER 05 = 0.5 mm 07 = 0.7 mm 10 = 1.0 mm
NC	VALVE FUNCTION NC = Normally Closed (at rest, no vacuum generation) NO = Normally Open (at rest, vacuum is present)
S	VERSION: S = with air saving circuit I = with air saving circuit and I/O Link communication B = without air saving circuit

SERIES VEQ COMPACT EJECTORS

TECHNICAL DATA

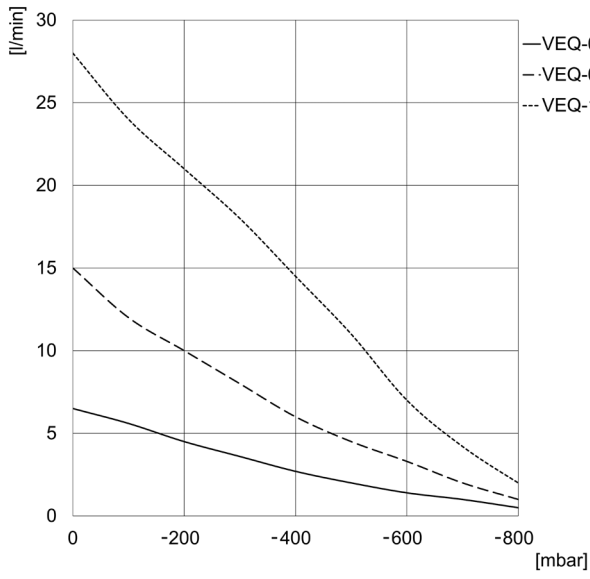


- EJECTOR SYSTEM:
- 1 = Compressed-air connection
 - 1A = Connector for external vacuum
 - 2 = Vacuum connection
 - 3 = Silencer
 - 4 = Screw for adjusting
 - 5 = Pneumatic valves integrated

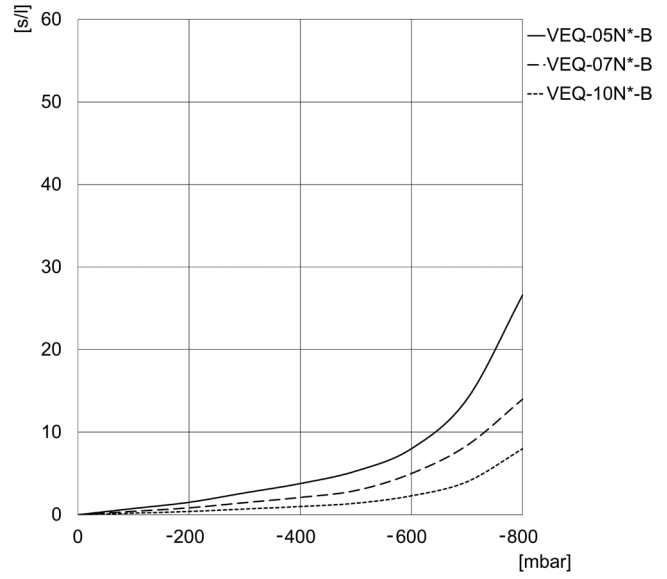


TECHNICAL DATA										
Mod.	Nozzle Ø (mm)	Degree of evacuation (%)	Suction rate max. (l/min)	Air consumption (l/min)	Air cons. blow-off (l/min)	Noise level workp. gripped [db(A)]	Noise level free [db(A)]	Optimum working pressure (bar)	Weight (kg)	Temperature range
VEQ-05N^{®-S}	0,5	87	8	9	10	55	66	3,5-6	2 2	70 0 / 50°C
VEQ-07N^{®-S}	0,7	87	15	22	10	70	70	3,5-6	2 2	70 0 / 50°C
VEQ-10N^{®-S}	1,0	87	28	45	10	72	71	3,5-6	4 4	70 0 / 50°C

Diagrams VEQ

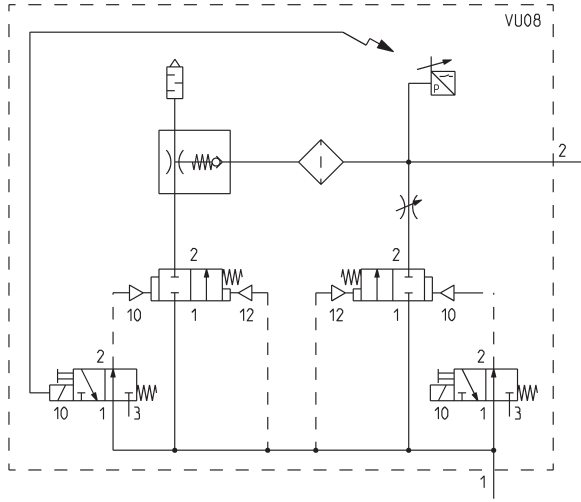


Suction rate with different vacuum values

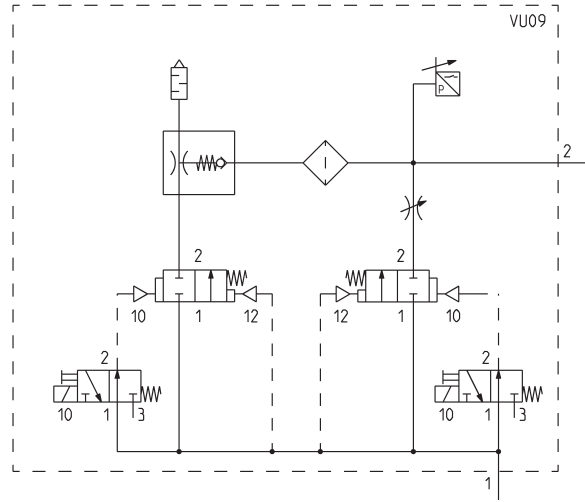


Evacuation time for different vacuum values

Operation diagram with normally closed valve

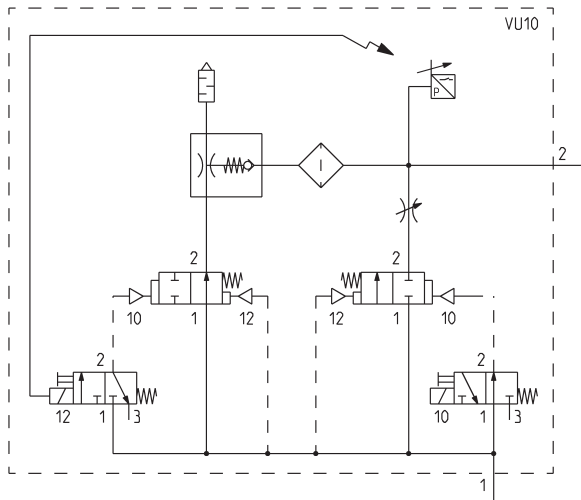


VEQ-05/07/10NC-S/I

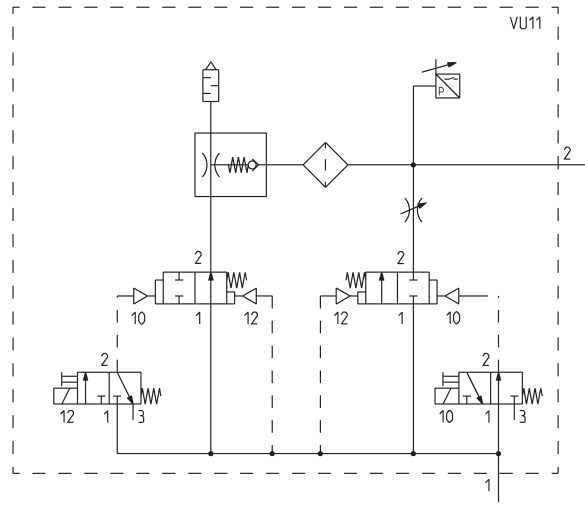


VEQ-05/07/10NC-B

Operation diagram with normally open valve



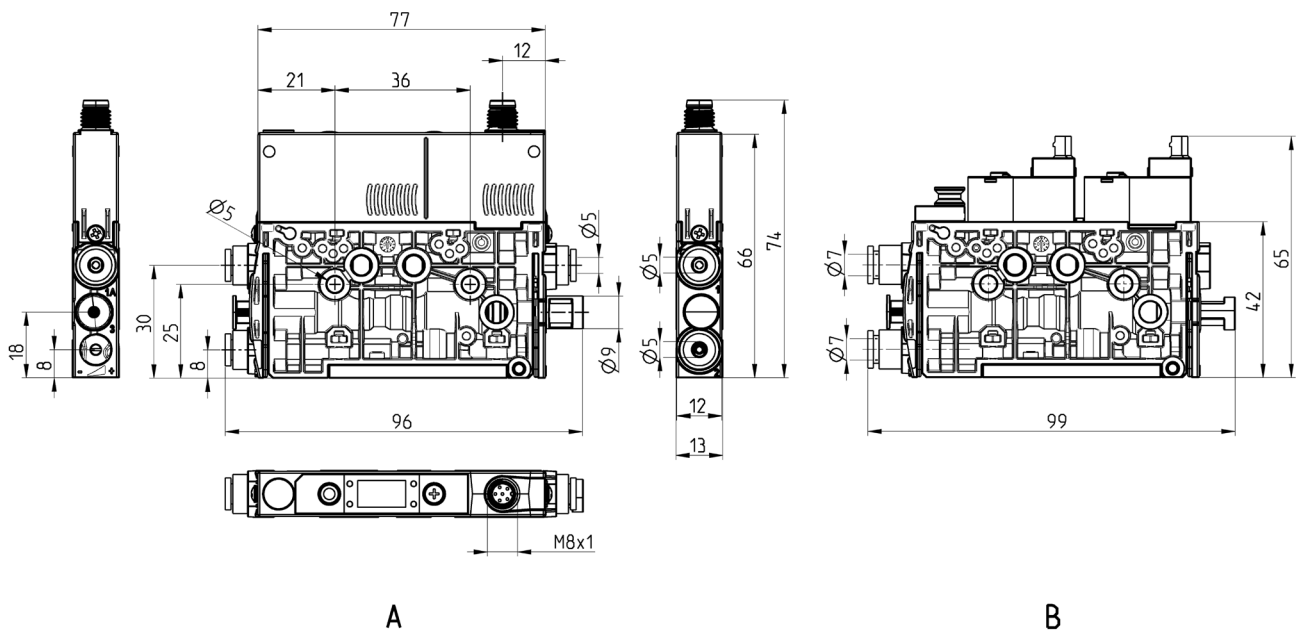
VEQ-05/07/10NO-S/I



VEQ-05/07/10NO-B

VEQ EJECTORS 5 - 7 - 10

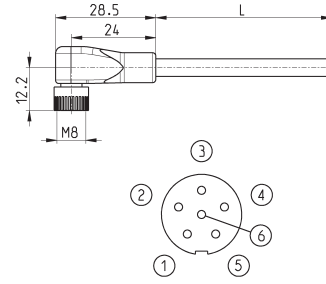
SERIES VEQ COMPACT EJECTORS



Mod.	
VEQ- ⁵ N ⁵ -I	A
VEQ- ⁷ N ⁷ -S	A
VEQ- ¹⁰ N ¹⁰ -B	B

Cable with 90°, M8 / 6 pin connector

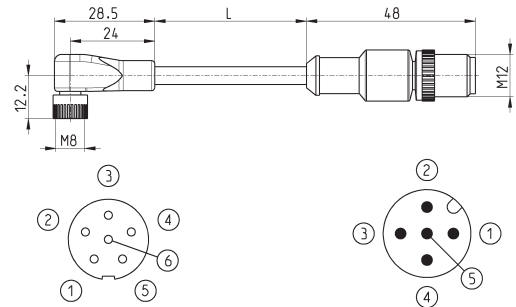
Cable for power supply and control of blow-off and suction valves and IO-Link



Mod.	description	type of connector	connection	L [cable length] (m)
CS-DR06HB-E200	moulded cable	90°	M8, 6 pin female	2

Cable with 90° M8 / 6 pin - straight M12 / 5 pin connector

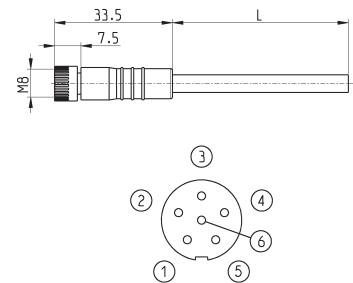
Cable for power supply and control of blow-off and suction valves and IO-Link



Mod.	description	type of connector	connection	L [cable length] (m)
CS-AG05HB-E200	moulded cable	straight/90°	M8, 6 pin male/female M12, 5 pin male	2

Cable with straight M8 / 6 pin connector

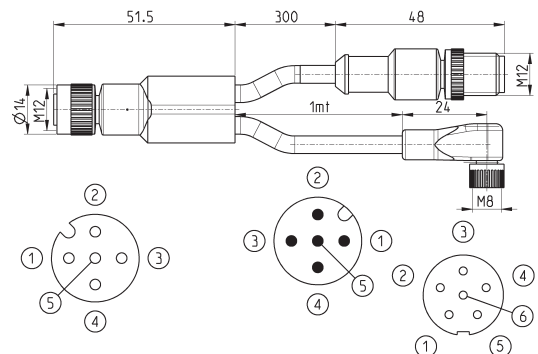
Cable for power supply and control of blow-off and suction valves and IO-Link



Mod.	description	type of connector	connection	L [cable length] (m)
CS-DF06HB-E500	moulded cable	straight	M8, 6 pin female	5

Y-cable with straight and 90°, M12 / 5 pin and M8 / 6 pin connectors

Cable for power supply and control of blow-off and suction valves and IO-Link

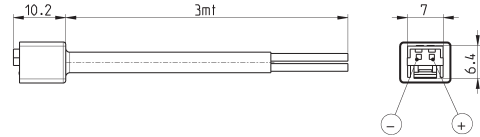


Mod.	description	type of connector	connection	L [cable length] (m)
SCP-CS-Y-C	moulded cable	straight/90°	M12, 5 pin straight male/female M8, 6 pin female	1

Connector with cables



Cable for power supply of suction and blow-off valves

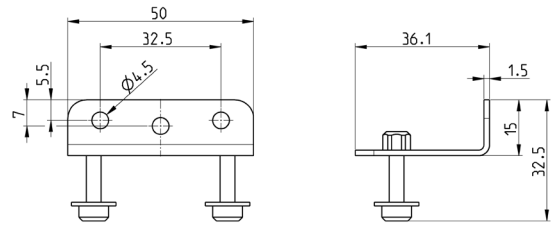


Mod.	description	type of connector	L [cable length] (m)
121-830P	crimped cable	straight	3

Mounting bracket for DIN rail



Supplied with:
 1x mounting bracket
 2x screws
 2x nuts
 2x washers



Mod.
VEQ-ST

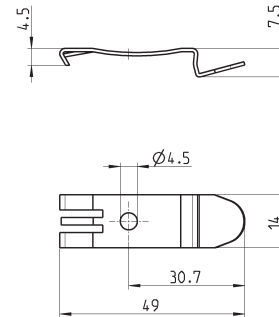
Mounting bracket for DIN rail Open Frame

DIN EN 50022 (7,5mm x 35mm - width 1)



Supplied with:
 1x mounting bracket
 1x screw M4x6 UNI 5931

This accessory cannot be used with the Light sub-base.



Mod.
PCF-K8P