

Adjustable overpressure exhaust valve

Mod. VMR 1/8-B10

Ports: G1/8



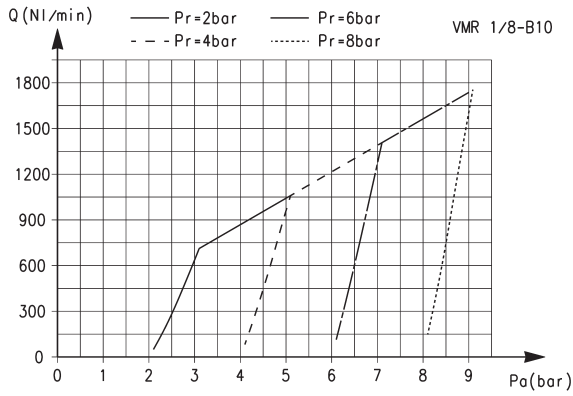
» Able to maintain pressure constant at a set value which allows the overpressure to exhaust

The adjustable valve Mod. VMR 1/8-B10 allows to discharge the overpressure that can be generated in a volume.

GENERAL DATA

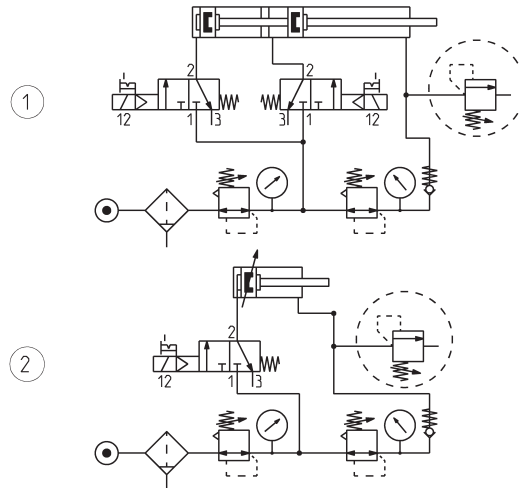
Valve group	automatic valves
Construction	diaphragm type
Materials	brass body zinc-plated steel spring NBR seals
Mounting	in any position
Ports	G1/8
Operating temperature	-5°C ÷ 50°C (with the dew point of the fluid lower than 2°C at the min. working temperature)
Medium	filtered air, without lubrication. If lubricated air is used, it is recommended to use ISO VG32 oil. Once applied the lubrication should never be interrupted.

FLOW DIAGRAM and FUNCTIONING SCHEMES



FLOW DIAGRAM

Pa = Inlet pressure
Pr = Regulated pressure
Q = Flow

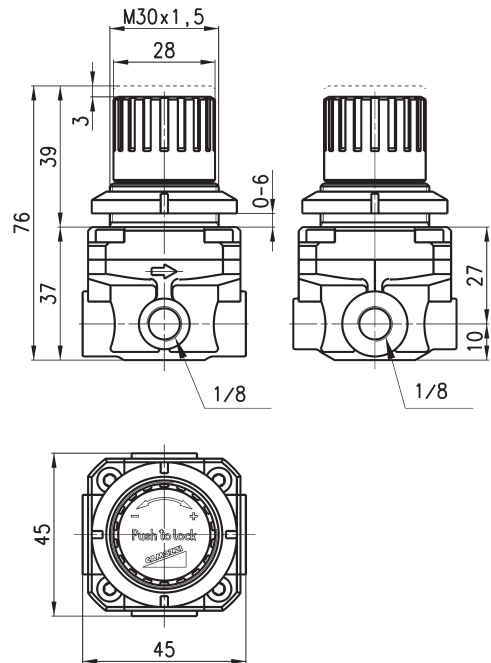
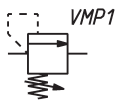


FUNCTIONING SCHEME 1: overpressure exhaust in a cylinder chamber or in a tank when the set value has been exceeded.

FUNCTIONING SCHEME 2: VMR valve with maximum adjustable pressure allows pressure in a cylinder chamber or in tank to exhaust in the atmosphere every time the set regulation value is exceeded.

ADJUSTABLE VALVE MOD. VMR 1/8-B10

Valve with maximum adjustable pressure Mod. VMR 1/8-B10



Mod.

Working pressure (bar)

VMR 1/8-B10

1 ÷ 8