

# Flat suction pads (round) for Packaging Series VPCF

**New**

Suction pads in Elastodur ED-65.  
Diameters from 1 to 65 mm with thread size M5, G1/8 and G1/4, both male and female.

SERIES VPCF FLAT SUCTION PADS



- » Elastodur ED-65 guarantees a high resistance to wear, tripling the service life compared to NBR.
- » High suction forces.
- » High rigidity and stability even during strong accelerations or emergency stops, thanks to support ribs.
- » Optimum hold on cardboard and rigid packaging thanks to the adaptable sealing lip.

Series VPCF flat suction pads consist of a nipple and rubber part which are delivered assembled. Both components can be ordered separately as spare parts.

These suction pads are very suitable for the handling of packagings like rigid cardboard boxes and trays in the pharmaceutical, cosmetics and food industries.

- Common applications are:
- Palletising and de-palletising processes
  - Heavy-duty applications in terms of hold and wear.
  - Loading from the top and from the side in cartoning machines.

## GENERAL DATA

<b>Description</b>	robust hard-wearing suction pads consisting of suction pad VPCF and connection nipple
<b>Construction</b>	- nipples and suction pads are supplied already assembled - diameters of 60 mm and more: nipple screwed into supporting plate vulcanised to the pad
<b>Maintenance</b>	it is possible to replace the soft element
<b>Working temperature</b>	ELASTODUR version: -40°C ÷ +100°C (for short time <30 sec.); -25°C ÷ +80°C (long-term)

## TECHNICAL DATA

Mod./Diameter	Suction force (N)*	Int. volume (cm <sup>3</sup> )	Min. convex curvature radius (mm)	Internal tube diameter (mm)
VPCF-0100	4,41	0,3	8	4
VPCF-0150	9,81	0,8	13	4
VPCF-0200	16,00	1,2	20	4
VPCF-0250	22,70	1,7	30	4
VPCF-0300	29,50	2,6	35	6
VPCF-0400	49,50	5,1	70	6
VPCF-0500	74,20	8,0	75	6
VPCF-0600	107,00	12,7	75	6

## CODING EXAMPLE

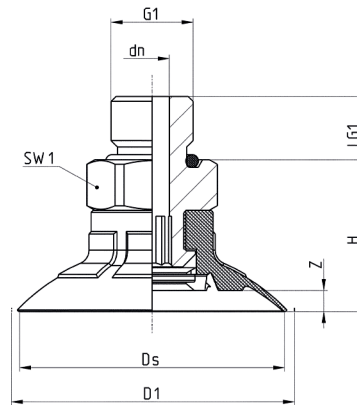
<b>VP</b>	<b>C</b>	<b>F</b>	<b>-</b>	<b>0100</b>	<b>E</b>	<b>-</b>	<b>M5</b>	<b>M</b>
-----------	----------	----------	----------	-------------	----------	----------	-----------	----------

<b>VP</b>	SERIES VP = suction pad
<b>C</b>	SHAPE C = round
<b>F</b>	VERSION F = flat
<b>0100</b>	DIAMETERS 0100 = 10,0 mm 0150 = 15,0 mm 0200 = 20,0 mm 0250 = 25,0 mm 0300 = 30,0 mm 0400 = 40,0 mm 0500 = 50,0 mm 0600 = 60,0 mm
<b>E</b>	MATERIALS E = Elastodur
<b>M5</b>	THREAD SIZE M5 = M5 1/8 = G1/8 1/4 = G1/4
<b>M</b>	THREAD M = male F = female

### Suction pad VPCF-0100 to 0300 - male thread



Tolerances for elastomer parts according to DIN ISO 3302-1 E3

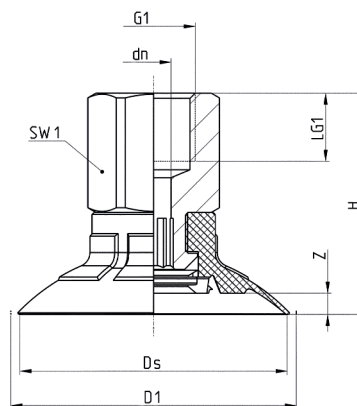


Mod.	dn	Ds	D1	G1	H	LG1	SW1	Z	Suction pad	Nipple
VPCF-0100E-M5M	1,8	10,5	12,0	M5 M	13,5	4,7	8	1,0	VPCF-0100E	NPS-B-M5-M
VPCF-0150E-1/8M	4,1	16,4	18,5	G1/8 M	16,0	7,5	14	1,5	VPCF-0150E	NPS-G-1/8-M
VPCF-0200E-1/8M	4,1	21,4	23,3	G1/8 M	17,0	7,5	14	2,0	VPCF-0200E	NPS-G-1/8-M
VPCF-0250E-1/8M	4,1	26,4	28,0	G1/8 M	17,0	7,5	14	2,0	VPCF-0250E	NPS-G-1/8-M
VPCF-0300E-1/8M	4,1	31,4	33,6	G1/8 M	18,0	7,5	14	2,5	VPCF-0300E	NPS-G-1/8-M

### Suction pad VPCF-0100 to 0300 - female thread



Tolerances for elastomer parts according to DIN ISO 3302-1 E3

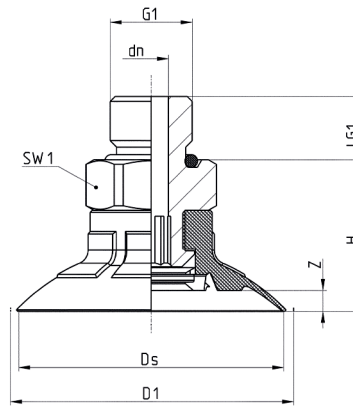


Mod.	dn	Ds	D1	G1	H	LG1	SW1	Z	Suction pad	Nipple
VPCF-0100E-M5F	3,1	10,5	12,0	M5 F	19	5,5	8	1,0	VPCF-0100E	NPS-B-M5-F
VPCF-0150E-1/8F	4,1	16,4	18,5	G1/8 F	24	8,0	14	1,5	VPCF-0150E	NPS-G-1/8-F
VPCF-0200E-1/8F	4,1	21,4	23,3	G1/8 F	25	8,0	14	2,0	VPCF-0200E	NPS-G-1/8-F
VPCF-0250E-1/8F	4,1	26,4	28,0	G1/8 F	25	8,0	14	2,0	VPCF-0250E	NPS-G-1/8-F
VPCF-0300E-1/8F	4,1	31,4	33,6	G1/8 F	26	8,0	14	2,5	VPCF-0300E	NPS-G-1/8-F

### Suction pad VPCF-0400 to 0600 - male thread



Tolerances for elastomer parts according to DIN ISO 3302-1 E3

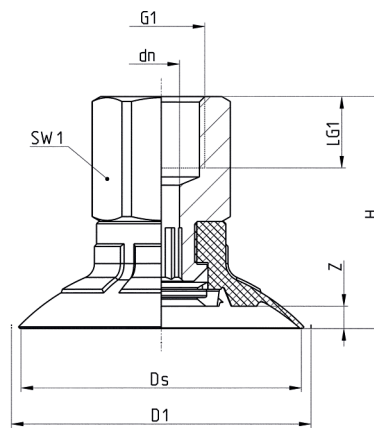


Mod.	dn	Ds	D1	G1	H	LG1	SW1	Z	Suction pad	Nipple
VPCF-0400E-1/4M	6,1	41,4	43,7	G1/4 M	23	10,0	17	2,5	VPCF-0400E	NPS-A-1/4-M
VPCF-0500E-1/4M	6,1	51,4	53,9	G1/4 M	24	10,0	17	3,5	VPCF-0500E	NPS-A-1/4-M
VPCF-0600E-1/4M	6,1	61,2	65,0	G1/4 M	26	10,0	17	5,1	VPCF-0600E	NPS-A-1/4-M

### Suction pad VPCF-0400 to 0600 - female thread



Tolerances for elastomer parts according to DIN ISO 3302-1 E3



Mod.	dn	Ds	D1	G1	H	LG1	SW1	Z	Suction pad	Nipple
VPCF-0400E-1/4F	6,1	41,4	43,7	G1/4 F	33	12,0	17	2,5	VPCF-0400E	NPS-A-1/4-F
VPCF-0500E-1/4F	6,1	51,4	53,9	G1/4 F	34	12,0	17	3,5	VPCF-0650E	NPS-A-1/4-F
VPCF-0600E-1/4F	6,1	61,2	65,0	G1/4 F	36	12,0	17	5,1	VPCF-0600E	NPS-A-1/4-F