



Bellows suction pads (round) for Packaging

Series VPCL - 1,5 folds

Suction pads in Elastodur ED-65.

Diameters from 10 to 80 mm with thread size M5, G1/8 and G1/4, both male and female.



Series VPCL suction pads consist of a nipple and rubber part which are delivered assembled. Both components can be ordered separately as spare parts.

These suction pads are very suitable for the handling of packagings like rigid cardboard boxes or trays.

Common applications are:

- Palletising and de-palletising processes
- Heavy-duty applications in terms of hold and wear.
- Loading from the top and from the side in cartoning machines.

- » Elastodur ED-65 guarantees a high resistance to wear, tripling the service life compared to NBR.
- » Optimised design that guarantees a high suction force despite its small dimensions.
- » High rigidity and stability even during strong accelerations or emergency stops.
- » Optimum hold on cardboard and rigid packaging thanks to the adaptable sealing lip.
- » Good adaptability to curved and uneven surfaces.

GENERAL DATA

Description	robust hard-wearing suction pads consisting of suction pad VPCL and connection nipple
Construction	- nipples and suction pads are supplied already assembled - diameters of 60 mm and more: nipple screwed into supporting plate vulcanised to the pad
Maintenance	it is possible to replace the soft element
Working temperature	ELASTODUR version: -40°C ÷ +100°C (for short time <30 sec.); -25°C ÷ +80°C (long-term)

TECHNICAL DATA

SERIES VPCL BELLOWS SUCTION PADS

Mod./Diameter	Suction force (N)*	Int. volume (cm ³)	Min. convex curvature radius (mm)	Internal tube diameter (mm)
VPCL-0100	1,5	0,5	5	4
VPCL-0150	4,3	1,5	8	4
VPCL-0200	9,9	3,2	20	4
VPCL-0250	14,9	5,3	20	4
VPCL-0300	20,7	8,0	35	6
VPCL-0400	35,90	18,4	70	6
VPCL-0500	54,7	30,2	100	6
VPCL-0600	78	49,24	100	6
VPCL-0800	166,0	98.4	150	6

CODING EXAMPLE

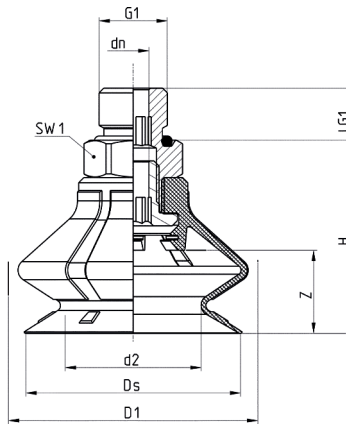
VP	C	L	-	0100	E	-	M5	M
-----------	----------	----------	----------	-------------	----------	----------	-----------	----------

VP	SERIES VP = suction pad
C	SHAPE C = round
L	VERSION L = 1,5 folds
0100	DIAMETERS 0100 = 10,0 mm 0150 = 15,0 mm 0200 = 20,0 mm 0250 = 25,0 mm 0300 = 30,0 mm 0400 = 40,0 mm 0500 = 50,0 mm 0600 = 60,0 mm 0800 = 80,0 mm
E	MATERIALS E = elastodur
M5	THREAD SIZE M5 = M5 1/8 = G1/8 1/4 = G1/4
M	THREAD M = male F = female

Suction pad VPCL-0100 to 0150 - male thread



Tolerances for elastomer parts according to DIN ISO 3302-1 E3

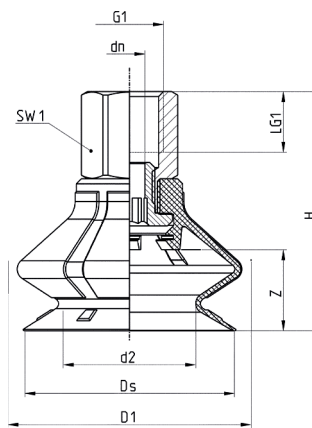


Mod.	G1	D1	d2	dn	Ds	H	LG1	SW1	Z	Suction pad	Nipple
VPCL-0100E-MSM	M5 M	11,3	5,6	1,8	9,8	18	4,7	8	4,0	VPCL-0100E	NPS-B-M5-M
VPCL-0150E-1/8M	G1/8 M	19,7	9,5	4,1	15,4	21	7,5	14	6,0	VPCL-0150E	NPS-G-1/8-M

Suction pad VPCL-0100 to 0150 - female thread



Tolerances for elastomer parts according to DIN ISO 3302-1 E3

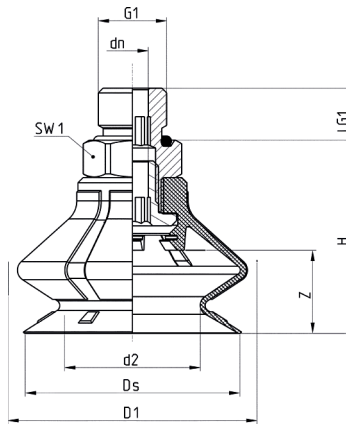


Mod.	G1	D1	d2	dn	Ds	H	LG1	SW1	Z	Suction pad	Nipple
VPCL-0100E-MSF	M5 F	11,3	5,6	3,1	9,8	23	5,5	8	4,0	VPCL-0100E	NPS-B-M5-F
VPCL-0150E-1/8F	G1/8 F	19,7	9,5	4,1	15,4	29	8,0	14	6,0	VPCL-0150E	NPS-G-1/8-F

Suction pad VPCL-0200 to 0800 - male thread



Tolerances for elastomer parts according to DIN ISO 3302-1 E3

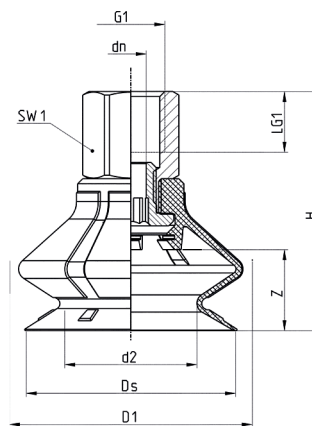


Mod.	G1	D1	d2	dn	Ds	H	LG1	SW1	Z	Suction pad	Nipple
VPCL-0200E-1/8M	G1/8 M	26,3	13,8	4,1	21,4	24	7,5	14	8,0	VPCL-0200E	NPS-G-1/8-M
VPCL-0250E-1/8M	G1/8 M	31,3	16,9	4,1	26,4	27	7,5	14	11,0	VPCL-0250E	NPS-G-1/8-M
VPCL-0300E-1/8M	G1/8 M	36,7	20,0	4,1	31,4	29	7,5	14	13,0	VPCL-0300E	NPS-G-1/8-M
VPCL-0400E-1/4M	G1/4 M	48,0	26,1	6,1	41,4	38	10,0	17	16,0	VPCL-0400E	NPS-A-1/4-M
VPCL-0500E-1/4M	G1/4 M	58,4	32,3	6,1	51,4	40	10,0	17	18,0	VPCL-0500E	NPS-A-1/4-M
VPCL-0600E-1/4M	G1/4 M	69,6	38,6	6,1	61,4	44	10,0	17	22,0	VPCL-0600E	NPS-A-1/4-M
VPCL-0800E-1/4M	G1/4 M	88,0	56,0	6,1	81,4	54	10,0	22	24,0	VPCL-0800E	NPS-C-1/4-M

Suction pad VPCL-0200 to 0800 - female thread



Tolerances for elastomer parts according to DIN ISO 3302-1 E3



Mod.	G1	D1	d2	dn	Ds	H	LG1	SW1	Z	Suction pad	Nipple
VPCL-0200E-1/8F	G1/8 F	26,3	13,8	4,1	21,4	32	8,0	14	8,0	VPCL-0200E	NPS-G-1/8-F
VPCL-0250E-1/8F	G1/8 F	31,3	16,9	4,1	26,4	35	8,0	14	11,0	VPCL-0250E	NPS-G-1/8-F
VPCL-0300E-1/8F	G1/8 F	36,7	20,0	4,1	31,4	37	8,0	14	13,0	VPCL-0300E	NPS-G-1/8-F
VPCL-0400E-1/4F	G1/4 F	48,0	26,1	6,1	41,4	48	12,0	17	16,0	VPCL-0400E	NPS-A-1/4-F
VPCL-0500E-1/4F	G1/4 F	58,4	32,3	6,1	51,4	50	12,0	17	18,0	VPCL-0650E	NPS-A-1/4-F
VPCL-0600E-1/4F	G1/4 F	69,6	38,6	6,1	61,4	54	12,0	17	22,0	VPCL-0600E	NPS-A-1/4-F
VPCL-0800E-1/4F	G1/4 F	88,0	56,0	6,1	81,4	64	12,0	22	24,0	VPCL-0800E	NPS-B-1/4-F