

Flat suction pads (round) Series VTFC

New

Universal suction pads in NBR or Silicone.
Diameters from 3.5 to 95 mm with thread size M3, M5, G1/8, G1/4, both male and female.

SERIES VTFC FLAT SUCTION PADS



- » Low profile, with reduced intrinsic volume which enables very short cycle times.
- » Compact design for good resistance to transversal forces, enhancing the stability of the piece.
- » Negligible movement of the piece during suction phase.

Series VTFC flat suction pads consist of a nipple and rubber part which are delivered assembled. Both components can be ordered separately as spare parts. From diameter 60 mm and up a mounting plate is vulcanised into the rubber part to which the nipple should be mounted.

These suction pads are generally used for handling objects with smooth or slightly curved surfaces such as sheet metals, extruded profiles, cardboard boxes, glass plates, plastic components, wood panels etc.

- Applications:
- Handling of parts with flat or slightly curved surfaces like sheet metal for car body workshops, tubes, cardboard boxes, etc.
 - Silicone version for the handling of parts at high temperatures

GENERAL DATA

Description	robust hard-wearing suction pads consisting of suction pad VTFC and connection nipple
Construction	- nipples and suction pads are supplied not assembled - diameters of 60 mm and more: nipple screwed into supporting plate vulcanised to the pad
Maintenance	it is possible to replace the soft element
Working temperature	NBR version: -30°C ÷ +120°C (for short time <30 sec.); -10°C ÷ +70°C (long-term) SILICONE version: -40°C ÷ +220°C (for short time <30 sec.); -30°C ÷ +180°C (long-term)

TECHNICAL DATA

Mod./Diameter	Suction force (N)*	Int. volume (cm ³)	Min. convex curvature radius (mm)	Internal tube diameter (mm)
VTCF-0035	0,42	0,002	2	2
VTCF-0050	0,75	0,005	4	2
VTCF-0080	2,3	0,03	5	2
VTCF-0100	4	0,07	6	2
VTCF-0150	9	0,4	9	4
VTCF-0200	15,5	0,8	13	4
VTCF-0250	26,5	1,3	18	4
VTCF-0300	34	1,3	26	4
VTCF-0350	44	2,7	31	4
VTCF-0400	57,7	3,8	37	4
VTCF-0500	91	7	41	4
VTCF-0600	125	10	70	6
VTCF-0800	260	25	100	6
VTCF-0950	350	35	150	6

CODING EXAMPLE

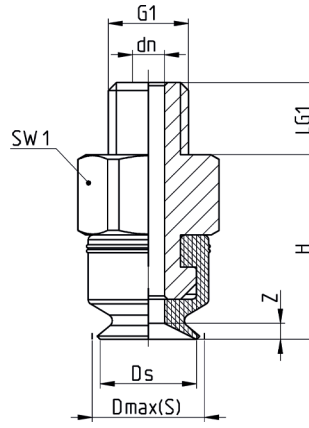
VT	C	F	-	0035	N	-	M3	M
-----------	----------	----------	----------	-------------	----------	----------	-----------	----------

VT	SERIES VT = suction pad
C	SHAPE C = round
F	VERSION F = flat
0035	DIAMETERS 0035 = 3,5 mm 0050 = 5,0 mm 0080 = 8,0 mm 0100 = 10,0 mm 0150 = 15,0 mm 0200 = 20,0 mm 0250 = 25,0 mm 0300 = 30,0 mm 0350 = 35,0 mm 0400 = 40,0 mm 0500 = 50,0 mm 0600 = 60,0 mm 0800 = 80,0 mm 0950 = 95,0 mm
N	MATERIALS N = NBR S = silicone
M3	THREAD SIZE M3 = M3 M5 = M5 1/8 = G1/8 1/4 = G1/4
M	THREAD M = male F = female

Suction pad VTCF-0035 - male thread



* = (N) for suction pad in NBR - (S) for suction pad in Silicone
(add the required letter when placing an order)



Tolerances for elastomer parts according to DIN ISO 3302-1 E3

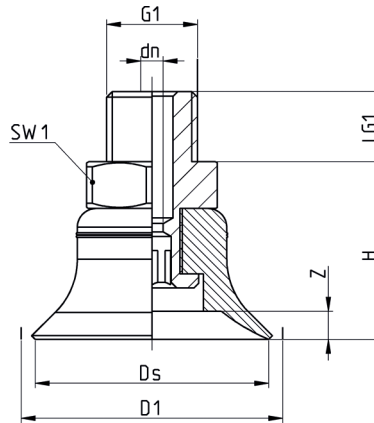


DIMENSIONS										
Suction pad with nipple	D1	dn	Ds	G1	H	LG1	SW1	Z	Suction pad	Nipple
VTCF-0035*-M3M	3,9	1,0	3,5	M3 M	6	3,0	5	0,5	VTCF-0035*	NPV-A-M3-M

Suction pad VTCF-0050 to 0500 - male thread



* = (N) for suction pad in NBR - (S) for suction pad in Silicone
(add the required letter when placing an order)



Tolerances for elastomer parts according to DIN ISO 3302-1 E3

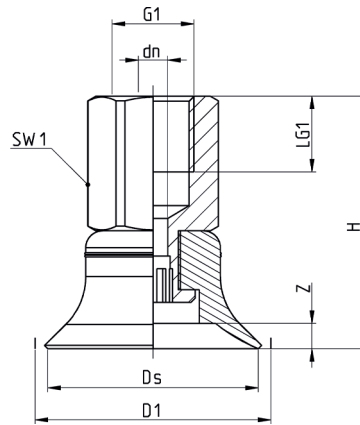


DIMENSIONS										
Suction pad with nipple	D1	dn	Ds	G1	H	LG1	SW1	Z	Suction pad	Nipple
VTCF-0050*-M5M	5,4	2,0	5,0	M5 M	11,5	4,5	8	0,9	VTCF-0050*	NPV-B-M5-M
VTCF-0080*-M5M	8,5	2,0	8,0	M5 M	12	4,5	8	1,4	VTCF-0080*	NPV-B-M5-M
VTCF-0100*-M5M	10,7	2,0	10,0	M5 M	12,5	4,5	8	1,3	VTCF-0100*	NPV-B-M5-M
VTCF-0150*-1/8M	15,8	2,0	15,0	G1/8 M	13	8,0	14	1,9	VTCF-0150*	NPV-G-1/8-M
VTCF-0200*-1/8M	21,2	2,0	20,0	G1/8 M	15	8,0	14	2,3	VTCF-0200*	NPV-H-1/8-M
VTCF-0250*-1/8M	25,8	2,4	25,0	G1/8 M	19	8,0	14	3,0	VTCF-0250*	NPV-L-1/8-M
VTCF-0300*-1/8M	29,6	2,4	28,5	G1/8 M	17	8,0	14	2,0	VTCF-0300*	NPV-L-1/8-M
VTCF-0350*-1/8M	35,6	2,4	35,0	G1/8 M	19	8,0	14	3,0	VTCF-0350*	NPV-L-1/8-M
VTCF-0400*-1/8M	41,6	2,4	40,0	G1/8 M	19	8,0	14	3,5	VTCF-0400*	NPV-L-1/8-M
VTCF-0500*-1/8M	51,1	2,4	50,0	G1/8 M	20	8,0	14	4,0	VTCF-0500*	NPV-M-1/8-M

Suction pad VTCF-0050 to 0500 - female thread



* = (N) for suction pad in NBR - (S) for suction pad in Silicone
(add the required letter when placing an order)



Tolerances for elastomer parts according to DIN ISO 3302-1 E3

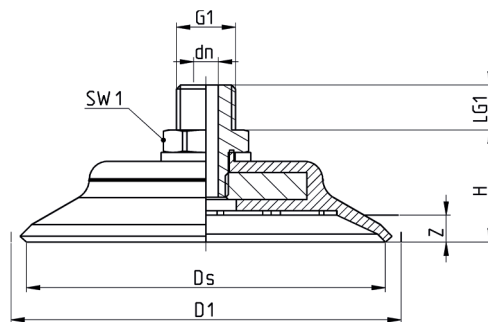


DIMENSIONS										
Suction pad with nipple	D1	dn	Ds	G1	H	LG1	SW1	Z	Suction pad	Nipple
VTFC-0100 [*] -M5F	10,7	2,0	10,0	M5 F	17,5	5,5	8	1,3	VTFC-0100 [*]	NPS-C-M5-F
VTFC-0100 [*] -1/8F	10,7	2,0	10,0	G1/8 F	23,5	9,0	14	1,3	VTFC-0100 [*]	NPV-F-1/8-F
VTFC-0150 [*] -1/8F	15,8	2,0	15,0	G1/8 F	24	9,0	14	1,9	VTFC-0150 [*]	NPV-G-1/8-F
VTFC-0200 [*] -1/8F	21,2	2,0	20,0	G1/8 F	26	9,0	14	2,3	VTFC-0200 [*]	NPV-H-1/8-F
VTFC-0250 [*] -1/8F	25,8	2,4	25,0	G1/8 F	30	9,0	14	3,0	VTFC-0250 [*]	NPV-L-1/8-F
VTFC-0300 [*] -1/8F	29,6	2,4	28,5	G1/8 F	28	9,0	14	2,0	VTFC-0300 [*]	NPV-L-1/8-F
VTFC-0350 [*] -1/8F	35,6	2,4	35,0	G1/8 F	30	9,0	14	3,0	VTFC-0350 [*]	NPV-L-1/8-F
VTFC-0400 [*] -1/8F	41,6	2,4	40,0	G1/8 F	30	9,0	14	3,5	VTFC-0400 [*]	NPV-L-1/8-F
VTFC-0500 [*] -1/8F	51,1	2,4	50,0	G1/8 F	31	9,0	14	4,0	VTFC-0500 [*]	NPV-M-1/8-F

Suction pad VTCF-0600 to 0950 - male thread



* = (N) for suction pad in NBR - (S) for suction pad in Silicone
(add the required letter when placing an order)



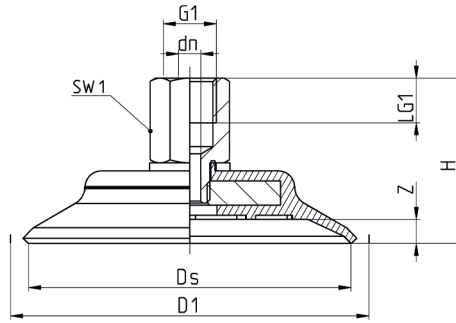
Tolerances for elastomer parts according to DIN ISO 3302-1 E3



DIMENSIONS										
Suction pad with nipple	D1	dn	Ds	G1	H	LG1	SW1	Z	Suction pad	Nipple
VTFC-0600 [*] -1/4M	62,1	5,5	60,0	G1/4 M	23	10,0	17	5,0	VTFC-0600 [*]	NPV-N-1/4-M
VTFC-0800 [*] -1/4M	82,8	5,5	80,0	G1/4 M	25	10,0	17	6,0	VTFC-0800 [*]	NPV-N-1/4-M
VTFC-0950 [*] -1/4M	97,8	5,5	95,0	G1/4 M	25,5	10,0	17	5,0	VTFC-0950 [*]	NPV-N-1/4-M

Suction pad VTCF-0600 to 0950 - female thread

* = (N) for suction pad in NBR - (S) for suction pad in Silicone
(add the required letter when placing an order)



Tolerances for elastomer parts according to DIN ISO 3302-1 E3



SERIES VTCF FLAT SUCTION PADS

DIMENSIONS										
Suction pad with nipple	D1	dm	Ds	G1	H	LG1	SW1	Z	Suction pad	Nipple
VTCF-0600* 1/4F	62,1	5,5	60,0	G1/4 F	39	11,0	17	5,0	VTCF-0600*	NPV-N-1/4-F
VTCF-0800* 1/4F	82,8	5,5	80,0	G1/4 F	41	11,0	17	5,0	VTCF-0800*	NPV-N-1/4-F
VTCF-0950* 1/4F	97,8	5,5	95,0	G1/4 F	41,5	11,0	17	5,0	VTCF-0950*	NPV-N-1/4-F