

Flat suction pads (oval) Series VTOF



Flat suction pads in NBR or Silicone.

Diameters from 4x2 to 90x30 mm with thread size M3, M5, G1/8, G1/4, both male and female.



- » Low profile with reduced intrinsic volume which enables short cycle times and/or the use of smaller vacuum generators.
- » Optimised shape for high suction force with reduced size.
- » Size 30x10 and up equipped with a special clip to prevent unwanted rotation.

Series VTOF flat oval suction pads consist of a nipple and rubber part. The nipples are inserted directly into the rubber part. Pads size 30x10 and larger are further equipped with a special clip in order to avoid unwanted rotation during operation. The suction pads can also be ordered separately without nipples as spare parts.

Applications:

- Handling of narrow workpieces with small undulated gripping surface such as plates, extruded profiles plastic components, etc
- Handling of frame elements as for example doors, windows, etc
- Silicone version for the handling of pieces at high temperatures

GENERAL DATA

Description	robust and wear resistant pad consisting of rubber part and connection nipple
Construction	- nipples and suction pads are supplied not pre-assembled - size 30x10 mm and up equipped with a clip to avoid rotation
Maintenance	it is possible to replace the rubber part
Working temperature	NBR version: -30°C ÷ +120°C (for short time <30 sec.); -10°C ÷ +70°C (long-term) SILICONE version: -40°C ÷ +220°C (for short time <30 sec.); -30°C ÷ +180°C (long-term)

TECHNICAL DATA

Mod./Diameter	Suction force (N)*	Volume (cm ³)	Min. convex curve radius (mm)	Recommended internal tube diameter (mm)
VTOF-0040-020	0,42	0,018	1	2
VTOF-0070-035	1	0,019	3	2
VTOF-0150-050	3,1	0,036	5	2
VTOF-0180-060	4,5	0,058	7	2
VTOF-0300-100	12,2	0,28	10	4
VTOF-0450-150	28,2	0,98	18	6
VTOF-0600-200	50,1	2,3	25	6
VTOF-0750-250	78,30	5,86	30	6
VTOF-0900-300	112,60	9,473	35	6

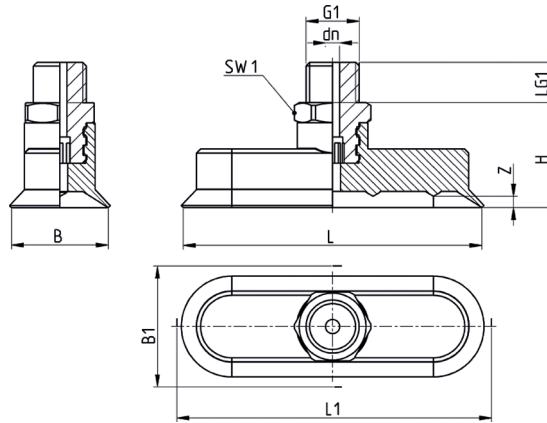
CODING EXAMPLE

VT	O	F	-	0040-020	N	-	M3	M
-----------	----------	----------	----------	-----------------	----------	----------	-----------	----------

VT	SERIES: VT = suction pad
O	SHAPE: O = oval
F	VERSION: F = flat
0040-020	DIMENSIONS: 0040-020 = 4,0 X 2,0 mm 0070-035 = 7,0 X 3,5 mm 0150-050 = 15,0 X 5,0 mm 0180-060 = 18,0 X 6,0 mm 0300-100 = 30,0 X 10,0 mm 0450-150 = 45,0 X 15,0 mm 0600-200 = 60,0 X 20,0 mm 0750-250 = 75,0 X 25,0 mm 0900-300 = 90,0 X 30,0 mm
N	MATERIALS: N = NBR S = silicone
M3	THREAD SIZE: M3 = M3 M5 = M5 1/8 = G1/8 1/4 = G1/4
M	THREAD: M = male F = female

Series VTOF suction pad - male thread

* = (N) for suction pad in NBR - (S) for suction pad in Silicone
(add the required letter when placing an order)



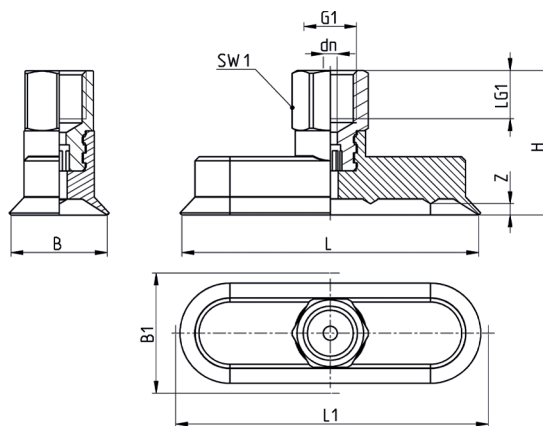
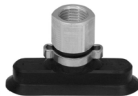
Tolerances on dimensions for elastomer parts according to DIN ISO 3302-1 E3



DIMENSIONS												
Suction pad with nipple	B1	B	dn	G1	H	LG1	L1	L	SW1	Z	Suction pad	Nipple
VTOF-0040-020*-M3M	2,5	2,0	1,0	M3 M	8	3,0	4,5	4	5	0,5	VTOF-0040-020*	NPV-A-M3-M
VTOF-0070-035*-M3M	4,5	3,5	1,0	M3 M	8	3,0	7,5	7	5	0,8	VTOF-0070-035*	NPV-A-M3-M
VTOF-0150-050*-M5M	5,5	5,0	1,2	M5 M	17	5,0	15,5	15	8	0,7	VTOF-0150-050*	NPV-C-M5-M
VTOF-0180-060*-M5M	7,0	6,0	1,5	M5 M	17	5,0	18,5	18	8	0,8	VTOF-0180-060*	NPV-C-M5-M
VTOF-0300-100*-1/8M	11,5	9,4	2,5	G1/8 M	17	8,0	30,5	29,4	14	1,5	VTOF-0300-100*	NPV-P-1/8-M
VTOF-0450-150*-1/4M	16,5	14,4	3,0	G1/4 M	26	10,0	46,0	44,4	17	2,0	VTOF-0450-150*	NPV-Q-1/4-M
VTOF-0600-200*-1/4M	22,0	19,0	3,5	G1/4 M	26	10,0	61,0	59,0	17	2,5	VTOF-0600-200*	NPV-Q-1/4-M
VTOF-0750-250*-1/4M	27,5	25,0	3,5	G1/4 M	26	10,0	77,0	75,0	17	2,8	VTOF-750-250*	NPV-Q-1/4-M
VTOF-0900-300*-1/4M	33,0	30,0	3,5	G1/4 M	26	10,0	92,5	90,0	17	3,5	VTOF-0900-300*	NPV-Q-1/4-M

Series VTOF suction pad - female thread

* = (N) for suction pad in NBR - (S) for suction pad in Silicone
(add the required letter when placing an order)



Tolerances on dimensions for elastomer parts according to DIN ISO 3302-1 E3



DIMENSIONS												
Suction pad with nipple	B1	B	dn	G1	H	LG1	L1	L	SW1	Z	Suction pad	Nipple
VTOF-0150-050*-M5F	5,5	5,0	1,2	M5 F	22	5,5	15,5	15	8	0,7	VTOF-0150-050*	NPV-C-M5-F
VTOF-0180-060*-M5F	7,0	6,0	1,5	M5 F	22	5,5	18,5	18	8	0,8	VTOF-0180-060*	NPV-C-M5-F
VTOF-0300-100*-1/8F	11,5	9,4	2,5	G1/8 F	25	9,0	30,5	30	14	1,5	VTOF-0300-100*	NPV-P-1/8-F
VTOF-0450-150*-1/4F	16,5	14,4	3,0	G1/4 F	36	12,0	46,0	45	17	2,0	VTOF-0450-150*	NPV-Q-1/4-F
VTOF-0600-200*-1/4F	22,0	20,0	3,5	G1/4 F	36	12,0	61,0	60	17	2,5	VTOF-0600-200*	NPV-Q-1/4-F
VTOF-0750-250*-1/4F	27,5	25,0	3,5	G1/4 F	36	12,0	77,0	75	17	2,8	VTOF-0750-250*	NPV-Q-1/4-F
VTOF-0900-300*-1/4F	33,0	30,0	3,5	G1/4 F	36	12,0	92,5	90	17	3,5	VTOF-0900-300*	NPV-Q-1/4-F