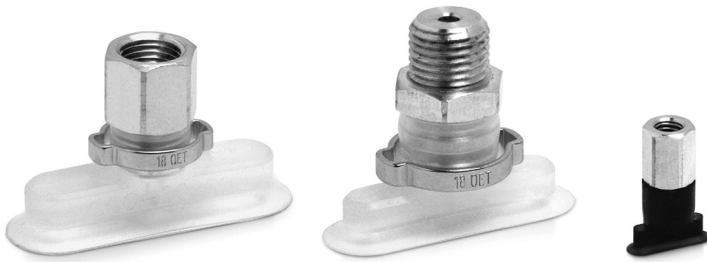


Series VTOF flat suction pads (oval)

Flat suction pads in NBR or Silicone which, thanks to their oval shape, can be used to handle narrow and long workpieces. Diameters from 7x3,5 to 60x20 mm with thread size M3, M5, G1/8, G1/4, both male and female.



- » Wide range of diameters, all available in materials NBR or Silicone.
- » Low profile with reduced intrinsic volume which enables short cycle times and/or the use of smaller vacuum generators.
- » Optimised shape for high suction force with reduced size.
- » Support on the bottom to avoid permanent deformation on the workpiece.
- » Size 30x10 and up equipped with a special clip to prevent unwanted rotation.

Series VTOF flat oval suction pads consist of a nipple and rubber part. The nipples are inserted directly into the rubber part. Pads size 30x10 and larger are further equipped with a special clip in order to avoid unwanted rotation during operation. The suction pads can also be ordered separately without nipples as spare parts.

Applications:

- Handling of narrow workpieces with small undulated gripping surface such as plates, extruded profiles plastic components, etc
- Handling of frame elements as for example doors, windows, etc
- Silicone version for the handling of pieces at high temperatures

GENERAL DATA

Description	robust and wear resistant pad consisting of rubber part and connection nipple
Construction	- nipples and suction pads are supplied not pre-assembled - size 30x10 mm and up equipped with a clip to avoid rotation
Maintenance	it is possible to replace the rubber part
Working temperature	NBR version: -30°C ÷ +120°C (for short time <30 sec.); -10°C ÷ +70°C (long-term) SILICONE version: -50°C ÷ +220°C (for short time <30 sec.); -30°C ÷ +180°C (long-term)

TECHNICAL DATA

Mod./Diameter	Suction force (N)*	Volume (cm ³)	Min. convex curve radius (mm)	Recommended internal tube diameter (mm)
VTOF-0070-035	1	0,019	3	2
VTOF-0150-050	3,1	0,036	5	2
VTOF-0180-060	4,5	0,058	7	2
VTOF-0300-100	12,2	0,28	10	4
VTOF-0450-150	28,2	0,98	18	6
VTOF-0600-200	50,1	2,3	25	6

CODING EXAMPLE

VT	O	F	-	0070-035	N	-	M3	M
-----------	----------	----------	----------	-----------------	----------	----------	-----------	----------

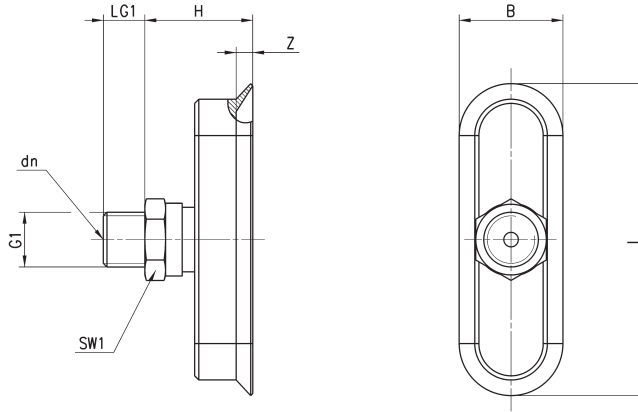
VT	SERIES: VT = suction pad
O	SHAPE: O = oval
F	VERSION: F = FLAT
0070-035	DIMENSIONS: 0070-035 = 7,0 x 3,5 mm 0150-050 = 15,0 x 5,0 mm 0180-060 = 18,0 x 6,0 mm 0300-100 = 30,0 x 10,0 mm 0450-150 = 45,0 x 15,0 mm 0600-200 = 60,0 x 20,0 mm
N	MATERIALS: N = NBR S = Silicone
M3	THREAD SIZE: M3 = M3 M5 = M5 1/8 = G1/8 1/4 = G1/4
M	THREAD: M = male F = female

Series VTOF suction pad - male thread



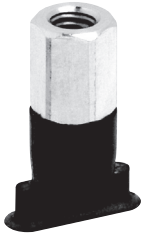
* = N for suction pad in NBR - S for suction pad in Silicone (add the required letter when placing an order)

Tolerances on dimensions for elastomer parts according to M3 - DIN 7715



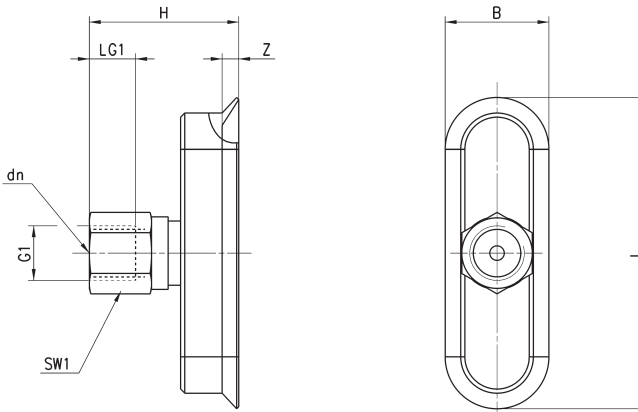
DIMENSIONS											
Suction pad with nipple	B	dn	G1	H	L	LG1	SW1	Z	Suction pad	Nipple	
VTOF-0070-035*-M3M	3,5	1	M3M	8	7	3	5	08	VTOF-0070-035*	NPV-A-M3-M	
VTOF-0150-050*-M5M	5	2	M5M	17	15	5	8	07	VTOF-0150-050*	NPV-C-M5-M	
VTOF-0180-060*-M5M	6	2	M5M	17	18	5	8	08	VTOF-0180-060*	NPV-C-M5-M	
VTOF-0300-100*-1/8M	10	3,5	G1/8 M	17	30	8	14	1,5	VTOF-0300-100*	NPV-P-1/8-M	
VTOF-0450-150*-1/4M	15	3,5	G1/4 M	26	45	10	17	2	VTOF-0450-150*	NPV-Q-1/4-M	
VTOF-0600-200*-1/4M	20	3,5	G1/4 M	26	60	10	17	2,5	VTOF-0600-200*	NPV-Q-1/4-M	

Series VTOF suction pad - female thread



* = N for suction pad in NBR - S for suction pad in Silicone (add the required letter when placing an order)

Tolerances on dimensions for elastomer parts according to M3 - DIN 7715



DIMENSIONS											
Suction pad with nipple	B	dm	G1	H	L	LG1	SW1	Z	Suction pad	Nipple	
VTOF-0150-050*-M5F	5	2	M5 F	22	15	5,5	8	0,7	VTOF-0150-050*	NPV-C-M5-F	
VTOF-0180-060*-M5F	6	2	M5 F	22	18	5,5	8	0,8	VTOF-0180-060*	NPV-C-M5-F	
VTOF-0300-100*-1/8F	10	3,5	G1/8 F	25	30	9	14	1,5	VTOF-0300-100*	NPV-P-1/8-F	
VTOF-0450-150*-1/4F	15	3,5	G1/4 F	36	45	12	17	2	VTOF-0450-150*	NPV-Q-1/4-F	
VTOF-0600-200*-1/4F	20	3,5	G1/4 F	36	60	12	17	2,5	VTOF-0600-200*	NPV-Q-1/4-F	