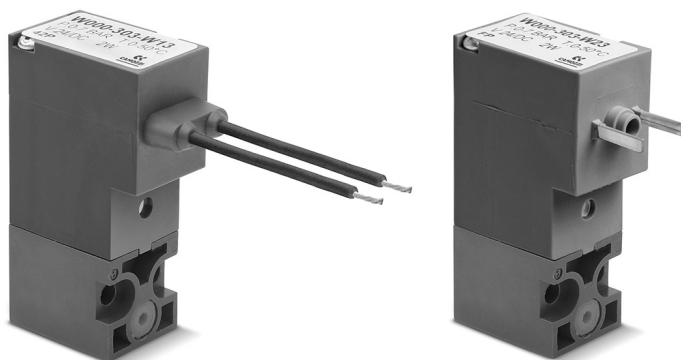


Series W directly operated solenoid valves

3/2-way - Normally Closed (NC), Normally Open (NO)



- » Can be mounted on a single base (M5 connections) or on manifold (M5 connections or cartridge \varnothing 3 and 4).
- » Electrical connection with cables or in compliance to DIN EN 175 301-803-C standard

Series W directly operated solenoid valves are available as 3/2-way either NC or NO. Both versions can be mounted on single sub-bases or manifolds and they are equipped with a manual override which make the plants setting easier.

GENERAL DATA

TECHNICAL FEATURES

Function	3/2 NC - 3/2 NO
Operation	direct acting poppet type
Pneumatic connections	on subbase with ISO 15218 interface by means of screws
Nominal diameter	0.8 ... 1.5 mm
Nominal flow	14 ... 35 Nl/min (air @ 6 bar Δ P 1 bar)
Flow coefficient kv (l/min)	0.23 ... 0.54
Operating pressure	0 ÷ 5 ... 10 bar
Operating temperature	0°C ÷ 50°C
Media	filtered air, class 5.4.4 according to ISO 8573-1 (max oil viscosity 32 cSt), inert gas
Response time (ISO 12238)	ON <10 msec - OFF <15 msec
Manual override	monostable button
Installation	in any position

MATERIALS IN CONTACT WITH THE MEDIUM

Body	PBT technopolymer
Seals	PU, NBR, (FKM on demand)
Internal parts	stainless steel

ELECTRICAL FEATURES

Voltage	12 V DC - 24 V DC - 48 V DC
Voltage tolerance	±10%
Power consumption	2 W - 1 W (24 V DC only)
Duty cycle	ED 100%
Electrical connection	with connector DIN EN 175 301-803-C (8 mm) - cables L = 300 mm
Protection class	IP65 with connector

Special versions available on demand

CODING EXAMPLE

W	0	00	-	3	0	3	-	W	2	3	
----------	----------	-----------	----------	----------	----------	----------	----------	----------	----------	----------	--

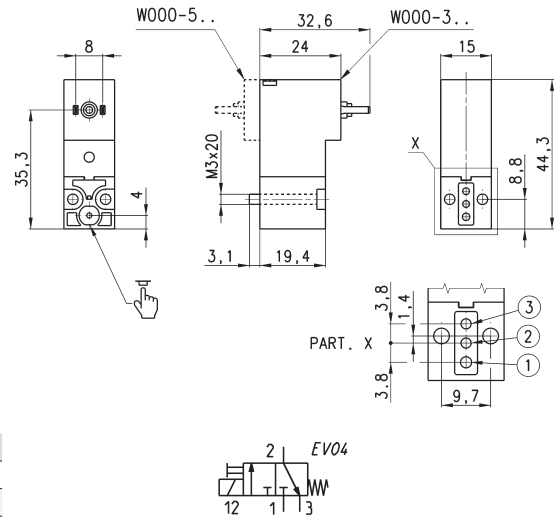
W	SERIES								
0	<p>BODY DESIGN: 0 = single sub-base (only M5) or interface 1 = single manifold 2 = double manifold</p>								
00	<p>NUMBER OF POSITIONS: 00 = interface 01 = single base (M5 only) 02 ÷ 99 = manifold number of positions</p>								
3	<p>NUMBER OF WAYS - FUNCTIONS: 0 = manifold or single sub-base 3 = 3-way NC 4 = 3-way NO 5 = 3-way NC electric part revolved by 180° 6 = 3-way NO electric part revolved by 180°</p>								
0	<p>VALVE PORTS: 0 = interface</p> <p>MANIFOLD PORTS (for Series W, P and PN): 2 = M5 side 3 = tube ø 3 side 4 = tube ø 4 side 6 = M5 rear ports 7 = ø 3 tube rear ports 8 = ø 4 tube rear ports</p>								
3	<p>NOMINAL DIAMETER - MAX PRESSURE</p> <table border="0"> <tr> <td>1 = ø 0,8 (1W)</td> <td>10 bar (NC) 24V only</td> </tr> <tr> <td>3 = ø 1,5 (2W)</td> <td>7 bar (NC) 5 bar (NO)</td> </tr> <tr> <td>5 = ø 1,1 NC (2W)</td> <td>10 bar (NC)</td> </tr> <tr> <td>ø 0,9 NO (2W)</td> <td>10 bar (NO)</td> </tr> </table>	1 = ø 0,8 (1W)	10 bar (NC) 24V only	3 = ø 1,5 (2W)	7 bar (NC) 5 bar (NO)	5 = ø 1,1 NC (2W)	10 bar (NC)	ø 0,9 NO (2W)	10 bar (NO)
1 = ø 0,8 (1W)	10 bar (NC) 24V only								
3 = ø 1,5 (2W)	7 bar (NC) 5 bar (NO)								
5 = ø 1,1 NC (2W)	10 bar (NC)								
ø 0,9 NO (2W)	10 bar (NO)								
W	<p>MATERIALS: W = technopolymer PBT body, FKM poppet seal, other seals in NBR (FKM on demand)</p>								
2	<p>ELECTRICAL CONNECTION: 1 = cables (L = 300 mm) 2 = DIN EN 175 301-803-C (8 mm)</p>								
3	<p>SOLENOID VOLTAGE: 2 = 12V DC 3 = 24V DC 4 = 48V DC</p>								
	<p>FIXING: = with screws for metal (standard) P = with screws for plastics</p>								

SERIES W SOLENOID VALVES

3/2-way NC solenoid valve, DIN EN 175 301-803-C (8 mm)



Supplied with:
 1x interface seal
 2x screws M3x20 UNI 8112
 (fixing for metal, standard)
 or
 2x screws M3x23 UNI 10227
 (fixing for plastics, P option)

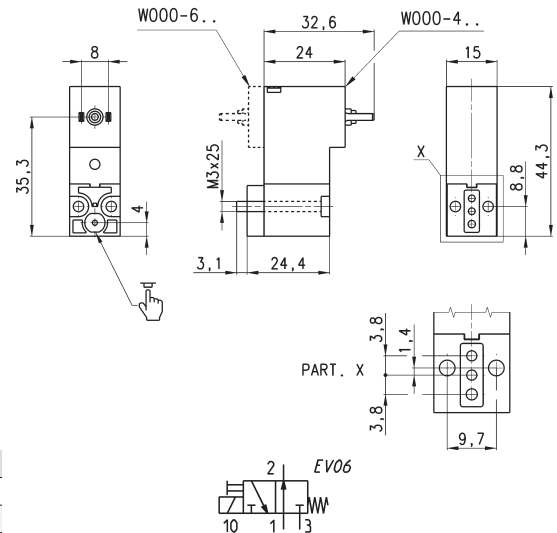


Mod.	Orifice \varnothing (mm)	kv (l/min)	Qn (Nl/min)	Pressure min-max (bar)
W000-305-W23	1.1	0.39	25	0 ÷ 10
W000-303-W23	1.5	0.54	35	0 ÷ 7
W000-305-W24	1.1	0.39	25	0 ÷ 10
W000-303-W24	1.5	0.54	35	0 ÷ 7

3/2-way NO solenoid valve, DIN EN 175 301-803-C (8 mm)

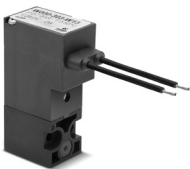


Supplied with:
 1x interface for NO version
 (connections 1 and 3 are inverted)
 2x interface seals
 2x screws M3x25 UNI 8112 (for standard version)

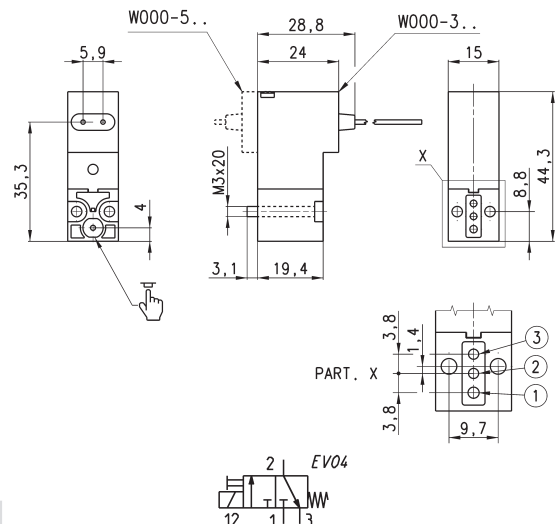


Mod.	Orifice \varnothing (mm)	kv (l/min)	Qn (Nl/min)	Pressure min-max (bar)
W000-405-W23	0.9	0.23	15	0 ÷ 10
W000-403-W23	1.5	0.39	-	0 ÷ 5
W000-405-W24	0.9	0.23	15	0 ÷ 10
W000-403-W24	1.5	0.39	-	0 ÷ 5

3/2-way NC solenoid valve with cables of 300mm

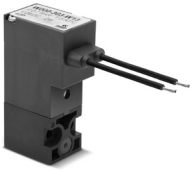


Supplied with:
 1x interface seal
 2x screws M3x20 UNI 8112
 (fixing for metal, standard)
 or
 2x screws M3x23 UNI 10227
 (fixing for plastics, P option)

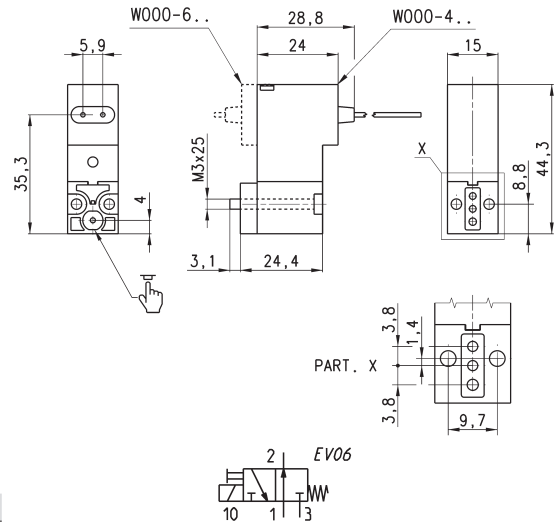


Mod.	Orifice \varnothing (mm)	kv (l/min)	Qn (Nl/min)	Pressure min-max (bar)
W000-305-W13	1.1	0.39	25	0 ÷ 10
W000-303-W13	1.5	0.54	35	0 ÷ 7

3/2-way NO solenoid valve with cables of 300mm

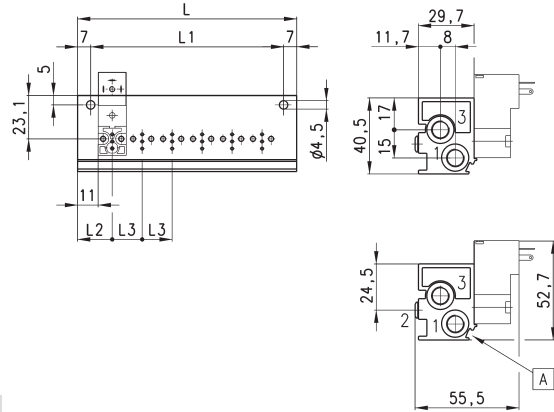


Supplied with:
1x interface for NO version
(connections 1 and 3 are inverted)
2x interface seals
2x screws M3x25 UNI 8112 (for standard version)



Mod.	Orifice θ (mm)	kv (l/min)	Qn (Nl/min)	Pressure min-max (bar)
W000-405-W13	0.9	0.23	15	0 ÷ 10
W000-403-W13	1.5	0.39	25	0 ÷ 5

Single manifold with rear outlets



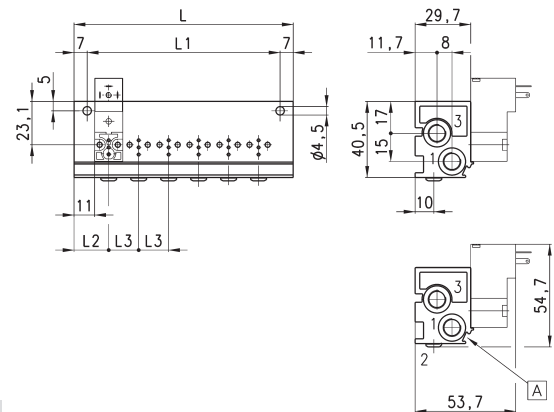
DIMENSIONS							
Mod.	N° Valves	L	L1	L2	L3	1 (P)	3 (R)
P102-0*	2	53	39	18,5	16	G1/8	G1/8
P103-0*	3	69	55	18,5	16	G1/8	G1/8
P104-0*	4	85	71	18,5	16	G1/8	G1/8
P105-0*	5	101	87	18,5	16	G1/8	G1/8
P106-0*	6	117	103	18,5	16	G1/8	G1/8

* = see the type of PORTS in the CODING EXAMPLE TABLE.

A = groove for electric connection identification

Single manifold with front outlets

This manifold is arranged to be fixed through DIN 46277/3 guide together with the accessory PCF-E520.

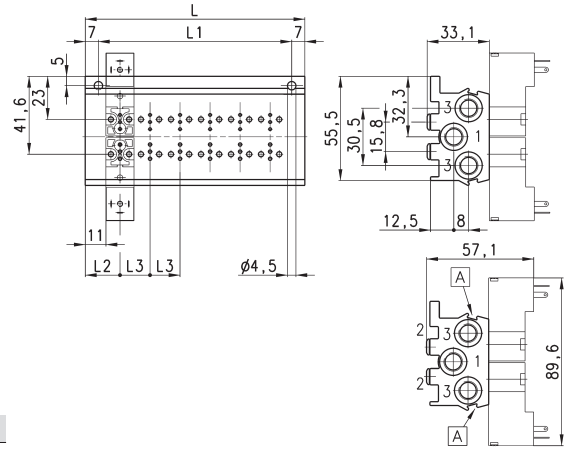


DIMENSIONS							
Mod.	Nr valves	L	L1	L2	L3	1 (P)	3 (R)
P102-0*	2	53	39	18,5	16	G1/8	G1/8
P103-0*	3	69	55	18,5	16	G1/8	G1/8
P104-0*	4	85	71	18,5	16	G1/8	G1/8
P105-0*	5	101	87	18,5	16	G1/8	G1/8
P106-0*	6	117	103	18,5	16	G1/8	G1/8

* = see the type of PORTS in the CODING EXAMPLE TABLE.

A = groove for electric connection identification

Double sided manifold with rear outlets



DIMENSIONS							
Mod.	Nr valves	L	L1	L2	L3	1 (P)	3 (R)
P204-0*	4	53	39	18,5	16	G1/8	G1/8
P206-0*	6	69	55	18,5	16	G1/8	G1/8
P208-0*	8	85	71	18,5	16	G1/8	G1/8
P210-0*	10	101	87	18,5	16	G1/8	G1/8
P212-0*	12	117	103	18,5	16	G1/8	G1/8

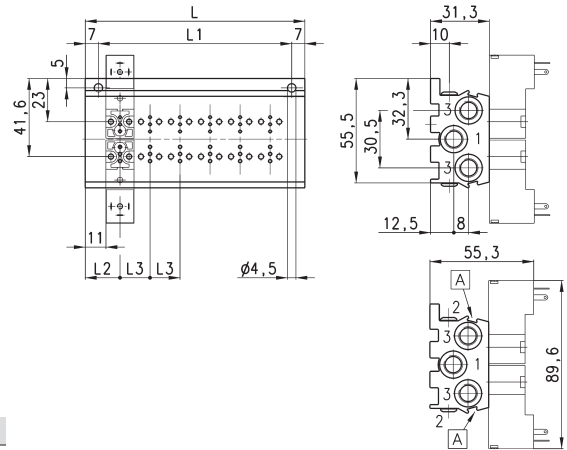
* = see the type of PORTS in the CODING EXAMPLE TABLE.

A = groove for electric connection identification

Double sided manifold with front outlets



This manifold is arranged to be fixed through DIN 46277/3 guide together with the accessory PCF-E520.



DIMENSIONS							
Mod.	Nr valves	L	L1	L2	L3	1 (P)	3 (R)
P204-0*	4	53	39	18,5	16	G1/8	G1/8
P206-0*	6	69	55	18,5	16	G1/8	G1/8
P208-0*	8	85	71	18,5	16	G1/8	G1/8
P210-0*	10	101	87	18,5	16	G1/8	G1/8
P212-0*	12	117	103	18,5	16	G1/8	G1/8

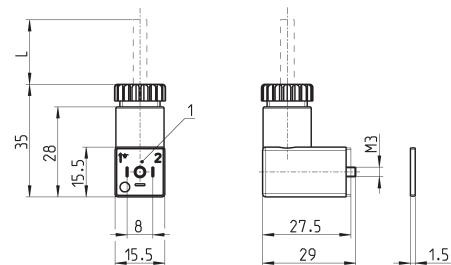
* = see the type of PORTS in the CODING EXAMPLE TABLE.

A = groove for electric connection identification

Connector Mod. 126... DIN EN 175 301-803-C (8 mm)



To be used in all DC valves with voltages from 6 to 110 V.



Mod.	description	colour	working voltage	cable length [L]	cable holding	tightening torque
126-550-1	moulded cable, without electronics	black	-	1000 mm	-	0.3 Nm
126-800	connector, without electronics	black	-	-	PG7	0.3 Nm
126-701	connector, varistor + Led	transparent	24 V AC/DC	-	PG7	0.3 Nm

1 = 90° adjustable connector