

## - Fittings Mod. 1170

Product code: 1170 6-1/4

Datasheet creation date: 10/03/2025 10:32

Check the most updated document online [click here](#)

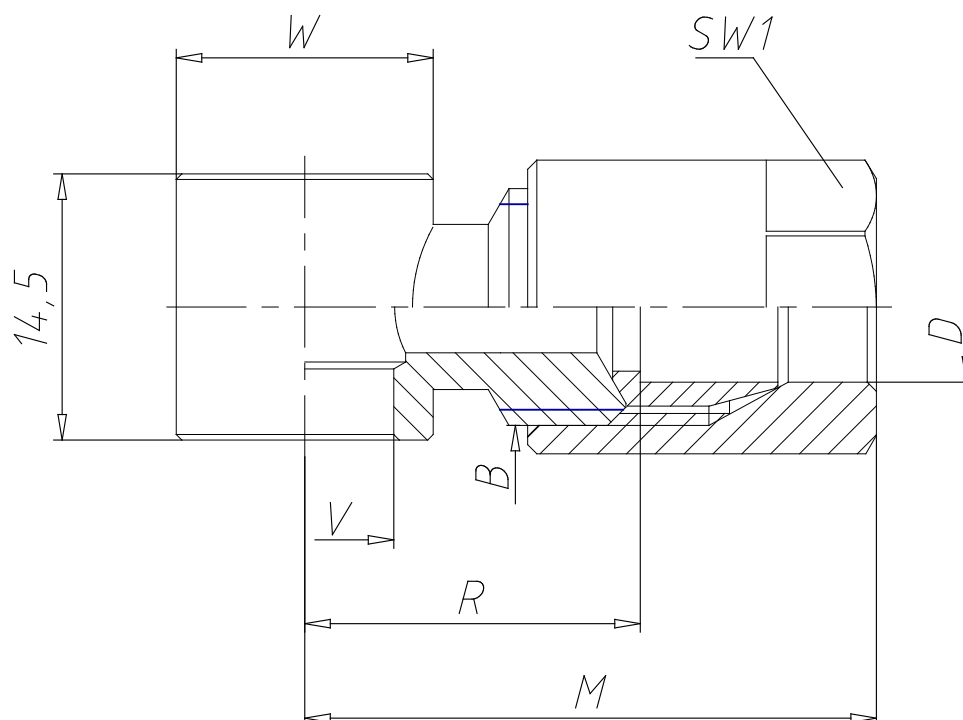


### TECHNICAL DATA

Mod.	1170 6-1/4
------	------------

## - Fittings Mod. 1170

Product code: 1170 6-1/4



### ■ DIMENSIONS

<b>D (mm)</b>	6
<b>B</b>	1/8
<b>R (mm)</b>	20.0
<b>M (mm)</b>	30.5
<b>V (mm)</b>	13.2
<b>W (mm)</b>	Ø18
<b>SW1 (mm)</b>	12
<b>Assembly possible on</b>	Assemblabile con Mod. 1631, 1635.