

- Fittings Mod. 1170

Product code: 1170 6-1/8

Datasheet creation date: 10/03/2025 10:32

Check the most updated document online [click here](#)

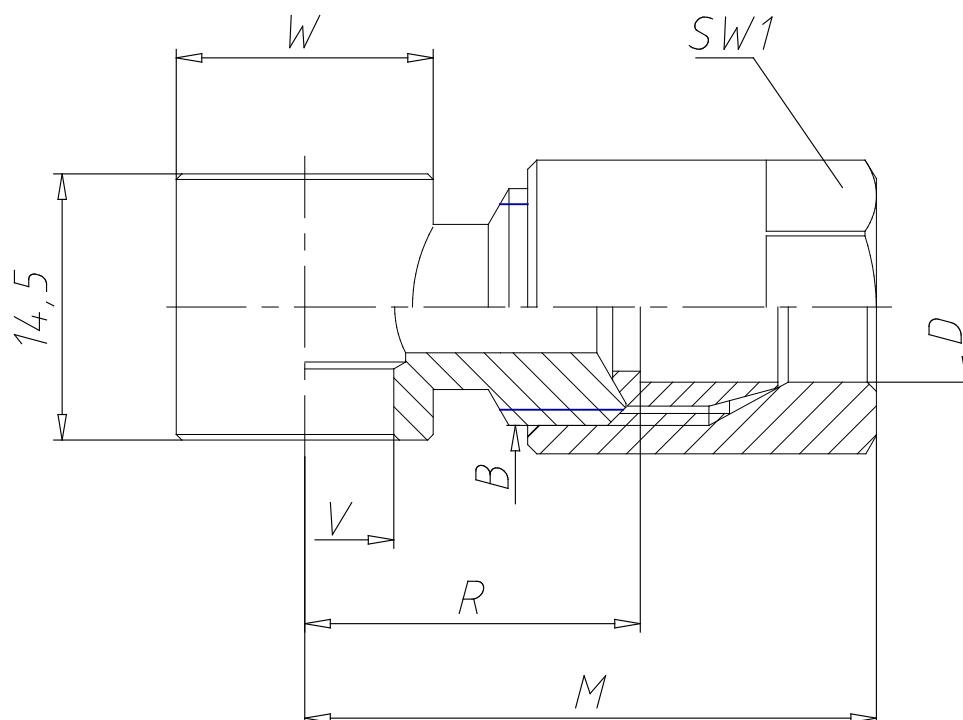


TECHNICAL DATA

Mod.	1170 6-1/8
------	------------

- Fittings Mod. 1170

Product code: 1170 6-1/8



■ DIMENSIONS

D (mm)	6
B	1/8
R (mm)	17.5
M (mm)	28.0
V (mm)	9.8
W (mm)	Ø14
SW1 (mm)	12
Assembly possible on	Assemblabile con Mod. 1631, 1635.