

Connectors (G90) - Mod. 122

Product code: 122-571-3

Datasheet creation date: 07/03/2025 16:11

Check the most updated document online [click here](#)

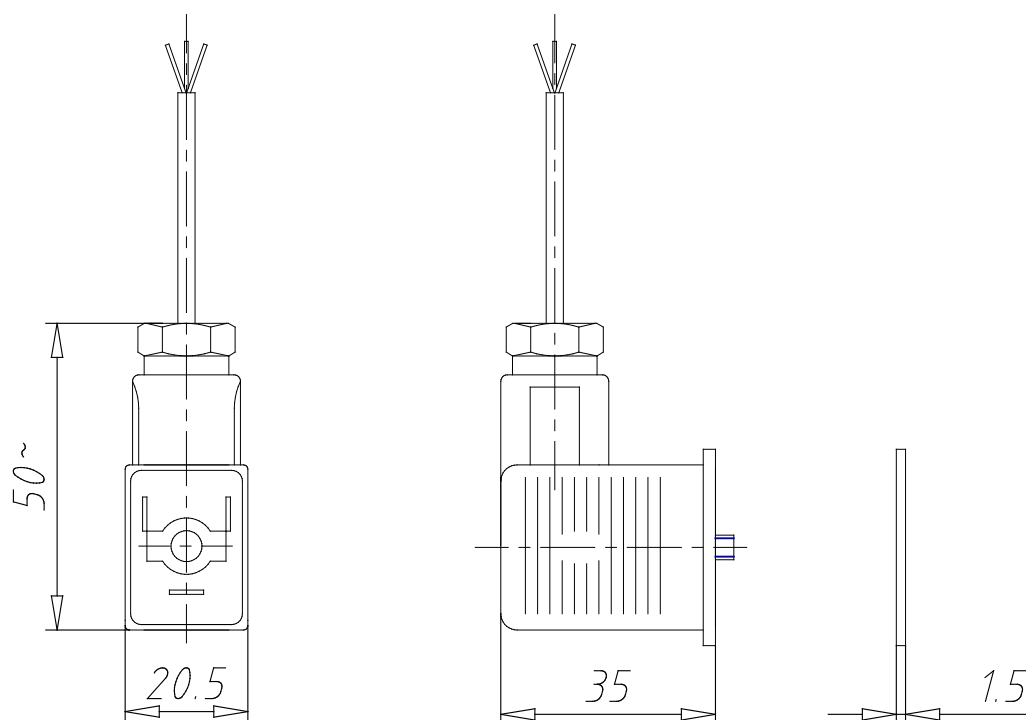


TECHNICAL DATA

Mod.	122-571-3
Description	Connector, varistor + Led
Colour	Black
Working	-
Cable length [L] (mm)	3000
Cable holding	-
Tightening torque (N)	0.5 Nm

Connectors (G90) - Mod. 122

Product code: 122-571-3



DIMENSIONS

Mod.	122-571-3
Description	Connector, varistor + Led
Colour	Black
Working	-
Cable length [L] (mm)	3000
Cable holding	-
Tightening torque (N)	0.5 Nm