

Connectors - Mod. 122-...

Product code: 122-601

Datasheet creation date: 07/03/2025 16:11

Check the most updated document online [click here](#)

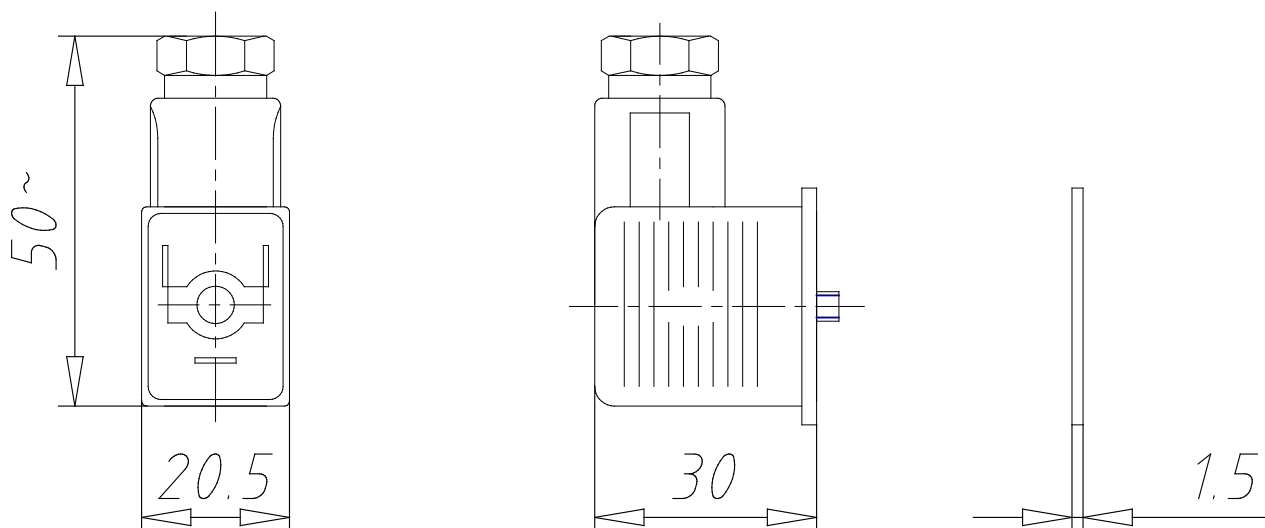


TECHNICAL DATA

Mod.	122-601
Description	Connector, diode + Led
Colour	transparent
Working voltage	10/50 V DC
Cable holding	PG9
Tightening torque (N*m)	0.5

Connectors - Mod. 122-...

Product code: 122-601



DIMENSIONS

Mod.	122-601
Description	Connector, diode + Led
Colour	transparent
Working voltage	10/50 V DC
Cable holding	PG9
Tightening torque (N*m)	0.5