

## Connectors - Mod. 122-...

Product code: 122-701

Datasheet creation date: 07/03/2025 16:11

Check the most updated document online [click here](#)

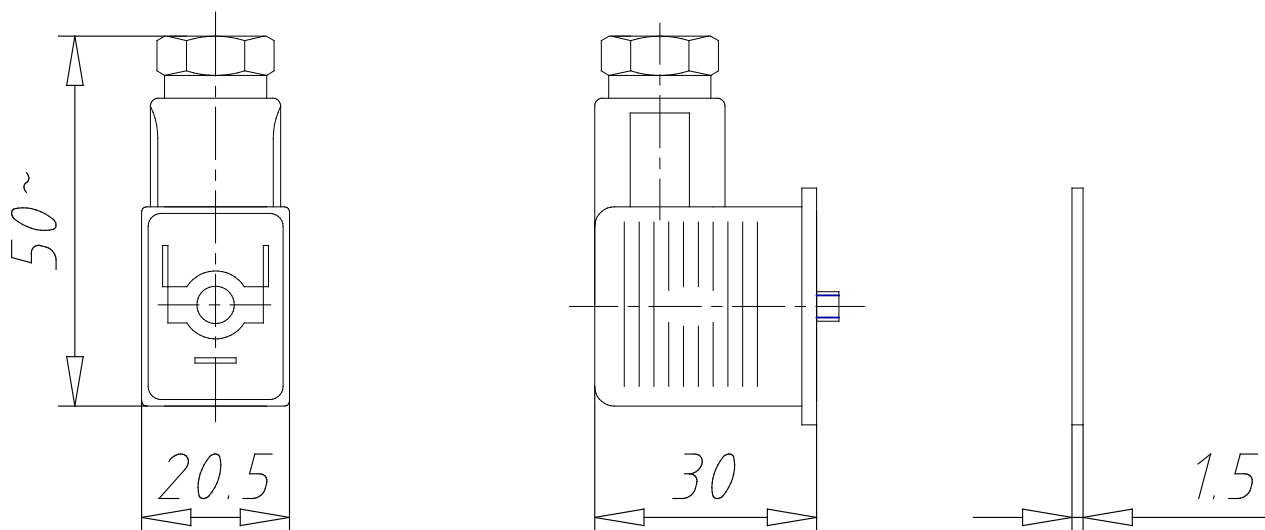


### TECHNICAL DATA

<b>Mod.</b>	122-701
<b>Description</b>	Connector, varistor + LED
<b>Colour</b>	transparent
<b>Working voltage</b>	24 V AC/DC
<b>Cable holding</b>	PG9
<b>Tightening torque (N*m)</b>	0.5

## Connectors - Mod. 122-...

Product code: 122-701



### DIMENSIONS

<b>Mod.</b>	122-701
<b>Description</b>	Connector, varistor + LED
<b>Colour</b>	transparent
<b>Working voltage</b>	24 V AC/DC
<b>Cable holding</b>	PG9
<b>Tightening torque (N*m)</b>	0.5