

Connectors - Mod. 122-...

Product code: 122-800EX

Datasheet creation date: 07/03/2025 16:11

Check the most updated document online [click here](#)

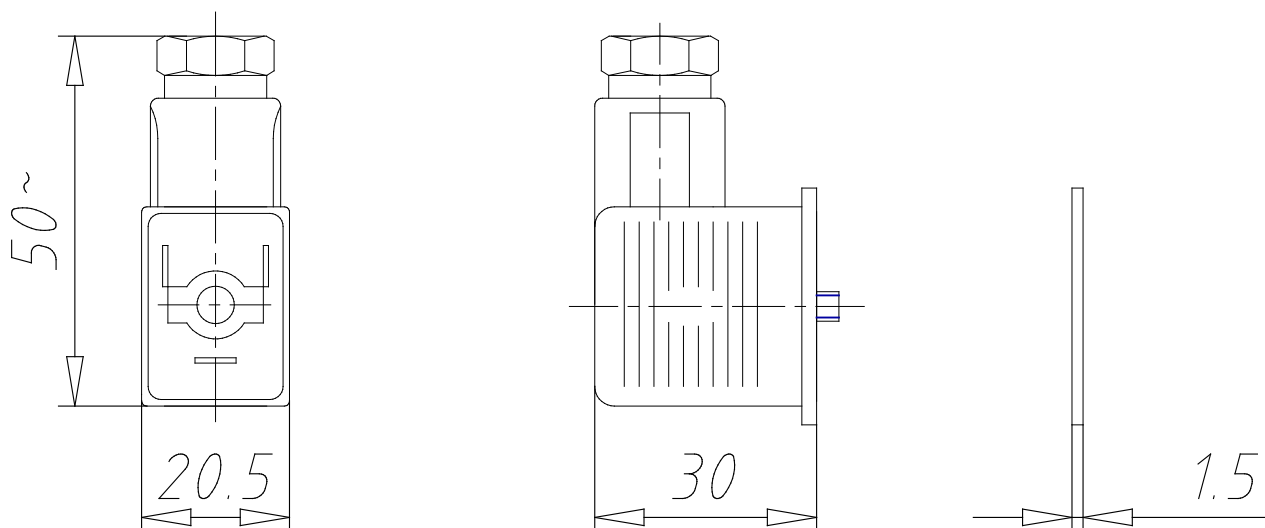


TECHNICAL DATA

Mod.	122-800EX
Description	Connector, without electronics
Colour	Black
Working voltage	-
Cable holding	PG9
Tightening torque (N*m)	0.5

Connectors - Mod. 122-...

Product code: 122-800EX



DIMENSIONS

Mod.	122-800EX
Description	Connector, without electronics
Colour	Black
Working voltage	-
Cable holding	PG9
Tightening torque (N*m)	0.5