

## Connectors - Mod. 122-...

Product code: 122-800UL

Datasheet creation date: 20/05/2026 08:46

Check the most updated document online [click here](#)

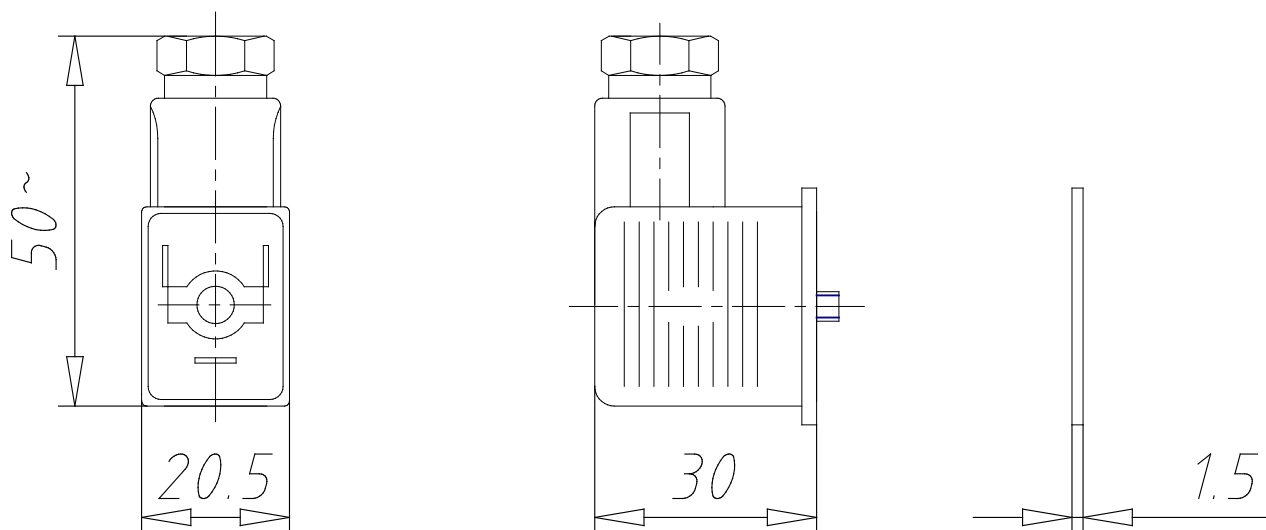


### TECHNICAL DATA

|                                |                                |
|--------------------------------|--------------------------------|
| <b>Mod.</b>                    | 122-800UL                      |
| <b>Description</b>             | Connector, without electronics |
| <b>Colour</b>                  | Black                          |
| <b>Working voltage</b>         | -                              |
| <b>Cable holding</b>           | PG9                            |
| <b>Tightening torque (N*m)</b> | 0.5                            |

## Connectors - Mod. 122-...

Product code: 122-800UL



### DIMENSIONS

|                                |                                |
|--------------------------------|--------------------------------|
| <b>Mod.</b>                    | 122-800UL                      |
| <b>Description</b>             | Connector, without electronics |
| <b>Colour</b>                  | Black                          |
| <b>Working voltage</b>         | -                              |
| <b>Cable holding</b>           | PG9                            |
| <b>Tightening torque (N*m)</b> | 0.5                            |