

Connectors - Mod. 122-89*C

Product code: 122-892C

Datasheet creation date: 20/05/2026 08:44

Check the most updated document online [click here](#)

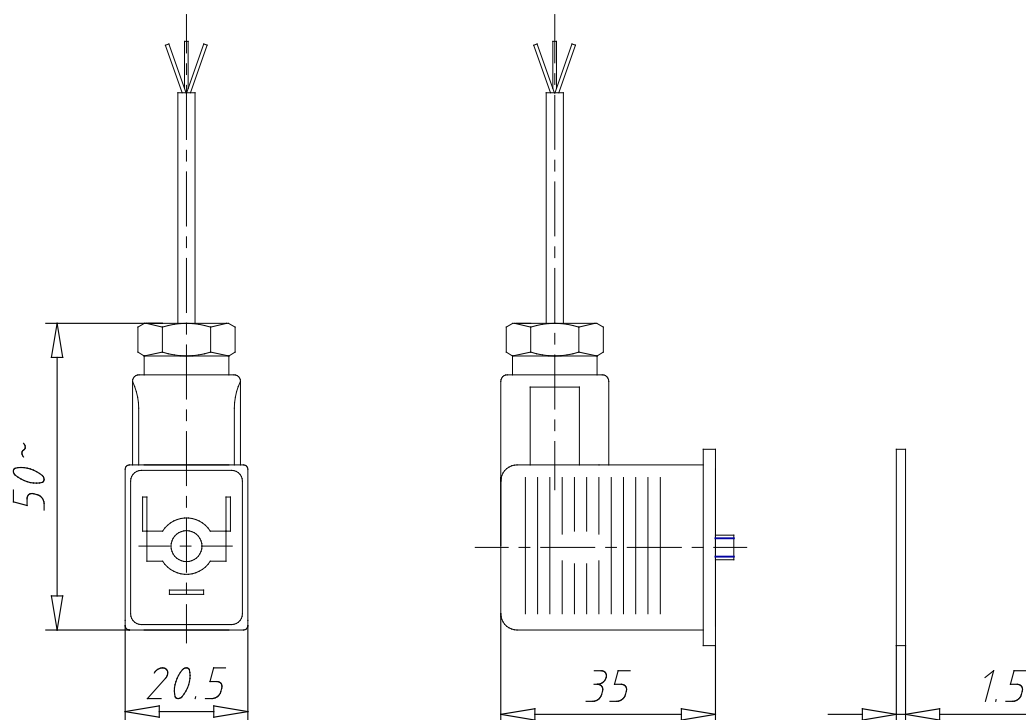


TECHNICAL DATA

Mod.	122-892C
Description	Pre-wired connector positive common
Colour	transparent
Working (V)	12/24V DC
Cable length [L] (mm)	2000
Cable holding	PG9
Tightening torque	0.5Nm

Connectors - Mod. 122-89*C

Product code: 122-892C



DIMENSIONS

Mod.	122-892C
Description	Pre-wired connector positive common
Colour	transparent
Working (V)	12/24V DC
Cable length [L] (mm)	2000
Cable holding	PG9
Tightening torque	0.5Nm