

## Connectors - Mod. 122-89\*C

Product code: 122-893C

Datasheet creation date: 20/05/2026 08:44

Check the most updated document online [click here](#)

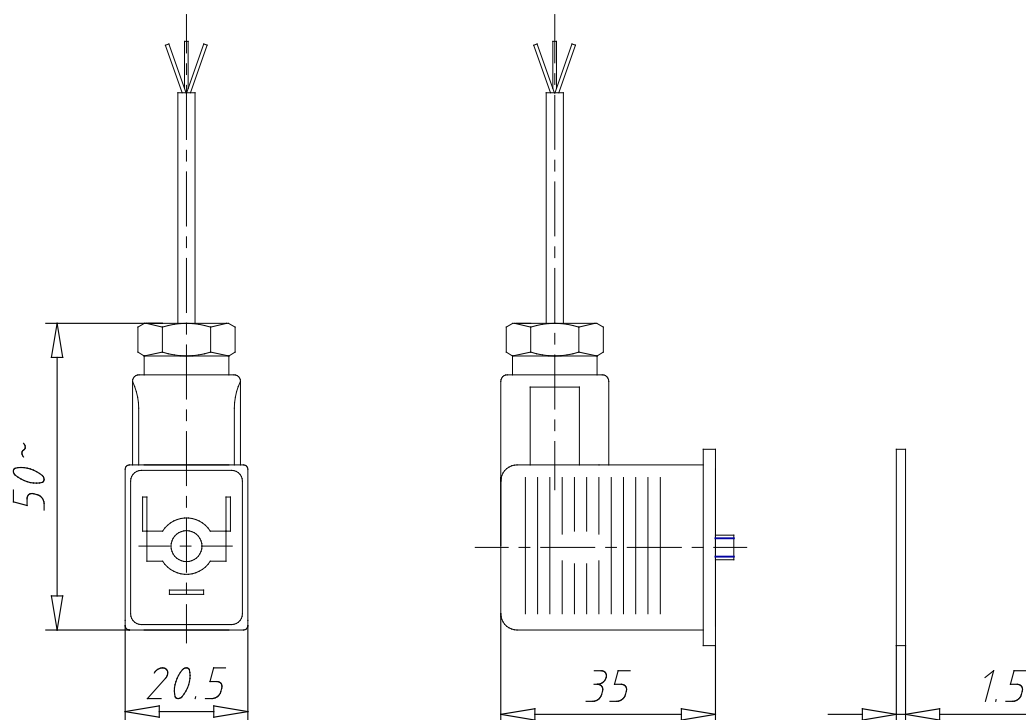


### TECHNICAL DATA

<b>Mod.</b>	122-893C
<b>Description</b>	Pre-wired connector negative common
<b>Colour</b>	transparent
<b>Working (V)</b>	12/24V DC
<b>Cable length [ L ] (mm)</b>	2000
<b>Cable holding</b>	PG9
<b>Tightening torque</b>	0.5Nm

## Connectors - Mod. 122-89\*C

Product code: 122-893C



### **DIMENSIONS**

<b>Mod.</b>	122-893C
<b>Description</b>	Pre-wired connector negative common
<b>Colour</b>	transparent
<b>Working (V)</b>	12/24V DC
<b>Cable length [ L ] (mm)</b>	2000
<b>Cable holding</b>	PG9
<b>Tightening torque</b>	0.5Nm