

- Fittings Mod. 1230

Product code: 1230 10

Datasheet creation date: 10/03/2025 10:33

Check the most updated document online [click here](#)

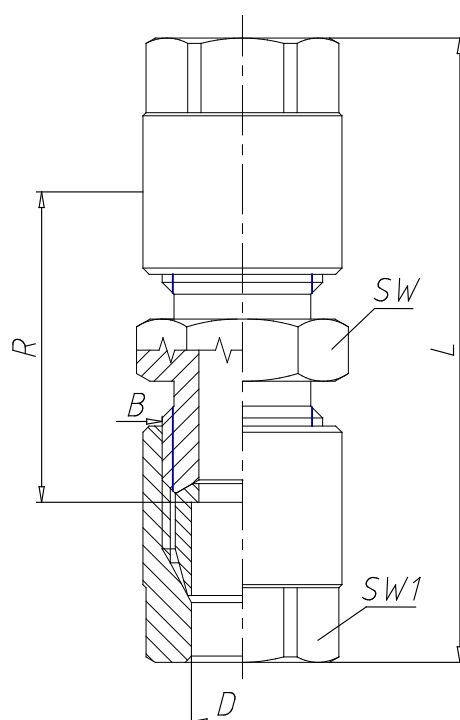


■ TECHNICAL DATA

Mod.	1230 10
------	---------

- Fittings Mod. 1230

Product code: 1230 10



■ DIMENSIONS

D (mm)	10
B	3/8
L (mm)	56.0
R (mm)	25.0
SW (mm)	17
SW1 (mm)	17
With bi-conical olive	-