

- Fittings Mod. 1230

Product code: 1230 12

Datasheet creation date: 10/03/2025 10:33

Check the most updated document online [click here](#)

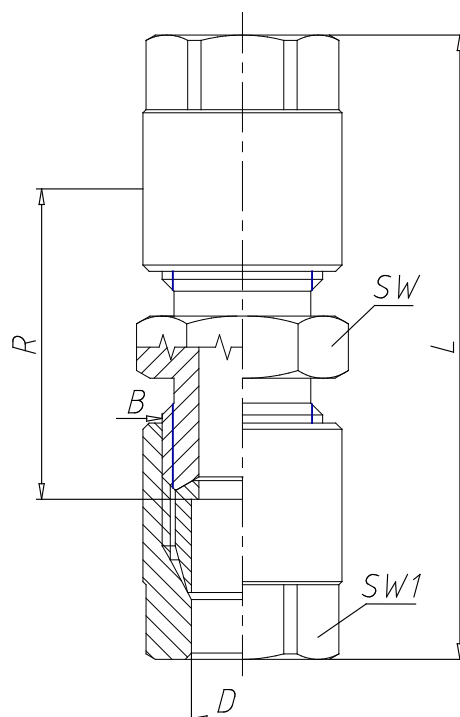


■ TECHNICAL DATA

Mod.	1230 12
------	---------

- Fittings Mod. 1230

Product code: 1230 12



DIMENSIONS

D (mm)	12
B	M18x1,5
L (mm)	54.0
R (mm)	13.0
SW (mm)	19
SW1 (mm)	19
With bi-conical olive	Con ogiva biconica