

Connectors (A80) - Mod. 124

Product code: 124-703

Datasheet creation date: 07/03/2025 16:10

Check the most updated document online [click here](#)

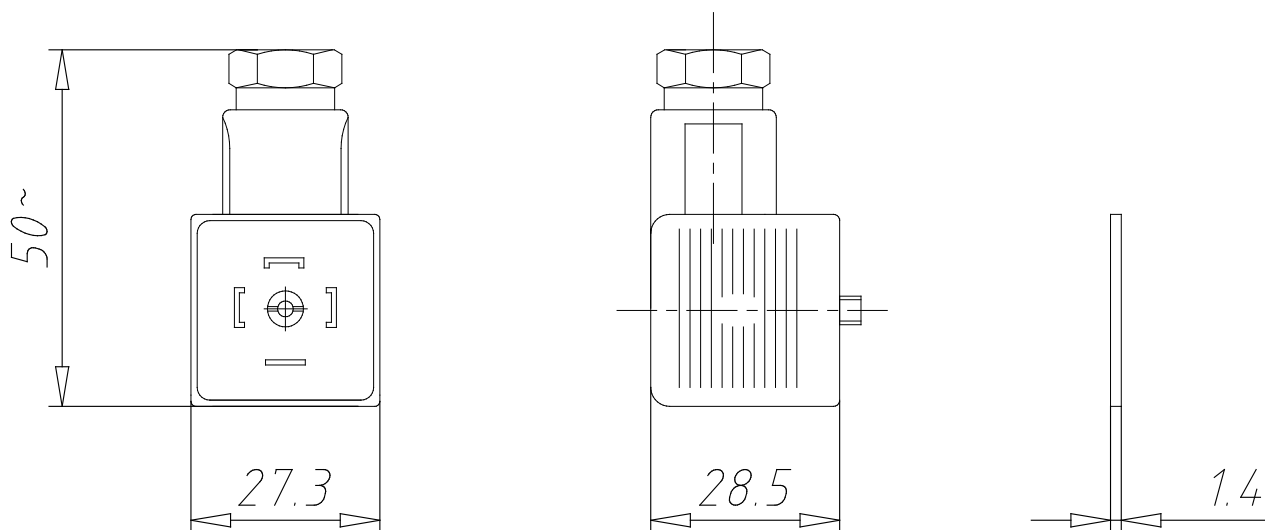


TECHNICAL DATA

Mod.	124-703
Description	Connector, varistor + Led
Colour	Black
Working (V)	230V AC/DC
Cable holding	PG9/PG11
Tightening torque	0.5Nm

Connectors (A80) - Mod. 124

Product code: 124-703



DIMENSIONS

Mod.	124-703
Description	Connector, varistor + Led
Colour	Black
Working (V)	230V AC/DC
Cable holding	PG9/PG11
Tightening torque	0.5Nm