

Connectors (A80) - Mod. 124

Product code: 124-800

Datasheet creation date: 07/03/2025 16:10

Check the most updated document online [click here](#)

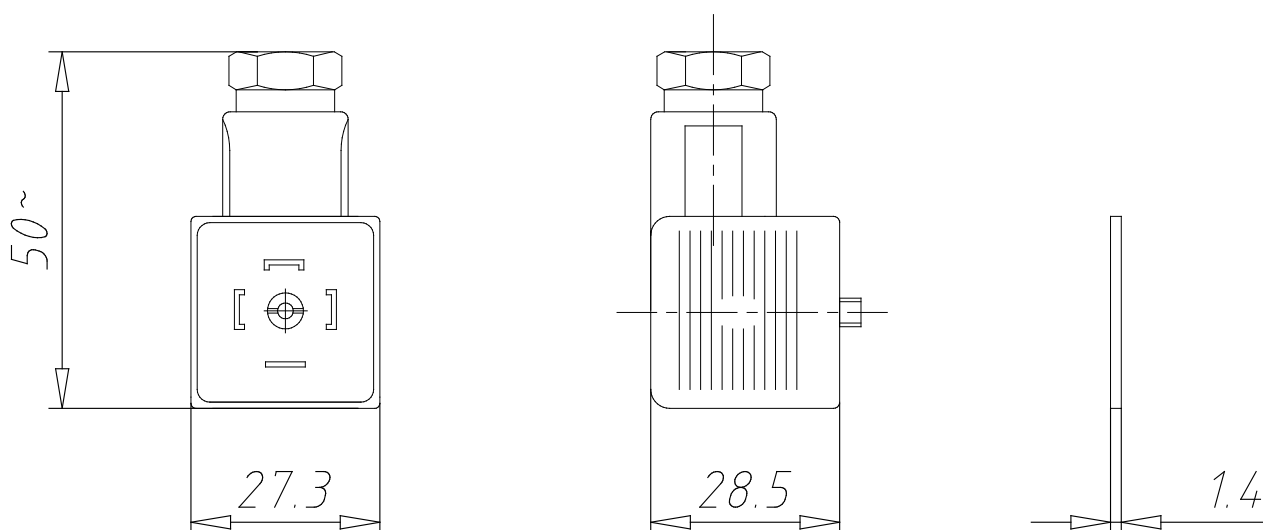


TECHNICAL DATA

Mod.	124-800
Description	Connector, without electronics
Colour	Black
Working (V)	-
Cable holding	PG9/PG11
Tightening torque	0.5Nm

Connectors (A80) - Mod. 124

Product code: 124-800



DIMENSIONS

Mod.	124-800
Description	Connector, without electronics
Colour	Black
Working (V)	-
Cable holding	PG9/PG11
Tightening torque	0.5Nm