

- Connectors (A80)

Product code: 124-830

Datasheet creation date: 07/03/2025 16:10

Check the most updated document online [click here](#)

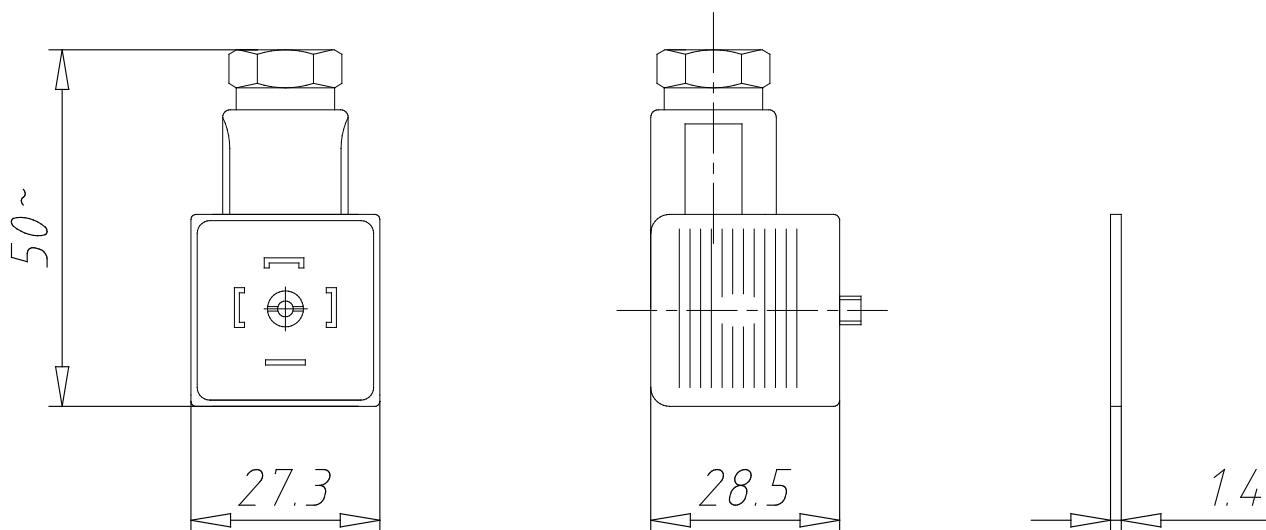


■ TECHNICAL DATA

Mod.	124-830
------	---------

- Connectors (A80)

Product code: 124-830



DIMENSIONS

Mod.	124-830
------	---------