

## Connector Mod. 125-... DIN 43650 (9,4mm) - Mod. 125-...

Product code: 125-501-2

Datasheet creation date: 07/03/2025 16:12

Check the most updated document online [click here](#)

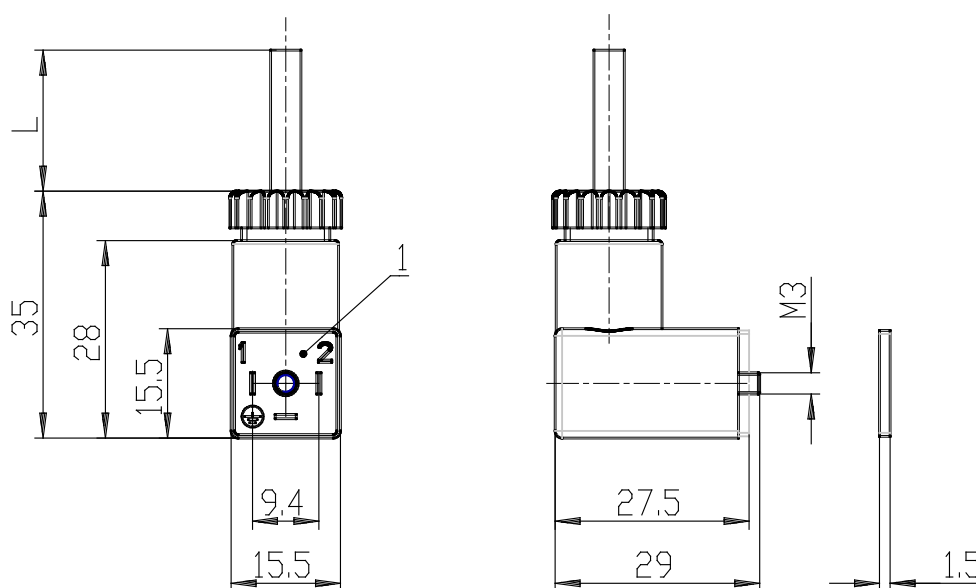


### TECHNICAL DATA

<b>Mod.</b>	125-501-2
<b>Description</b>	Moulded cable with diode + Led
<b>Colour</b>	Black
<b>Working (V)</b>	10/50V DC
<b>Cable length (mm)</b>	2000
<b>Tightening torque (mm)</b>	0.3Nm
<b>Cable holding</b>	-

## Connector Mod. 125-... DIN 43650 (9,4mm) - Mod. 125-...

Product code: 125-501-2



1 = CONNETTORE ORIENTABILE DI 90°

### DIMENSIONS

<b>Mod.</b>	125-501-2
<b>Description</b>	Moulded cable with diode + Led
<b>Colour</b>	Black
<b>Working (V)</b>	10/50V DC
<b>Cable length (mm)</b>	2000
<b>Tightening torque (mm)</b>	0.3Nm
<b>Cable holding</b>	-