

In-line connectors with cable - Mod. 125-500

Product code: 125-503-2

Datasheet creation date: 07/03/2025 16:12

Check the most updated document online [click here](#)

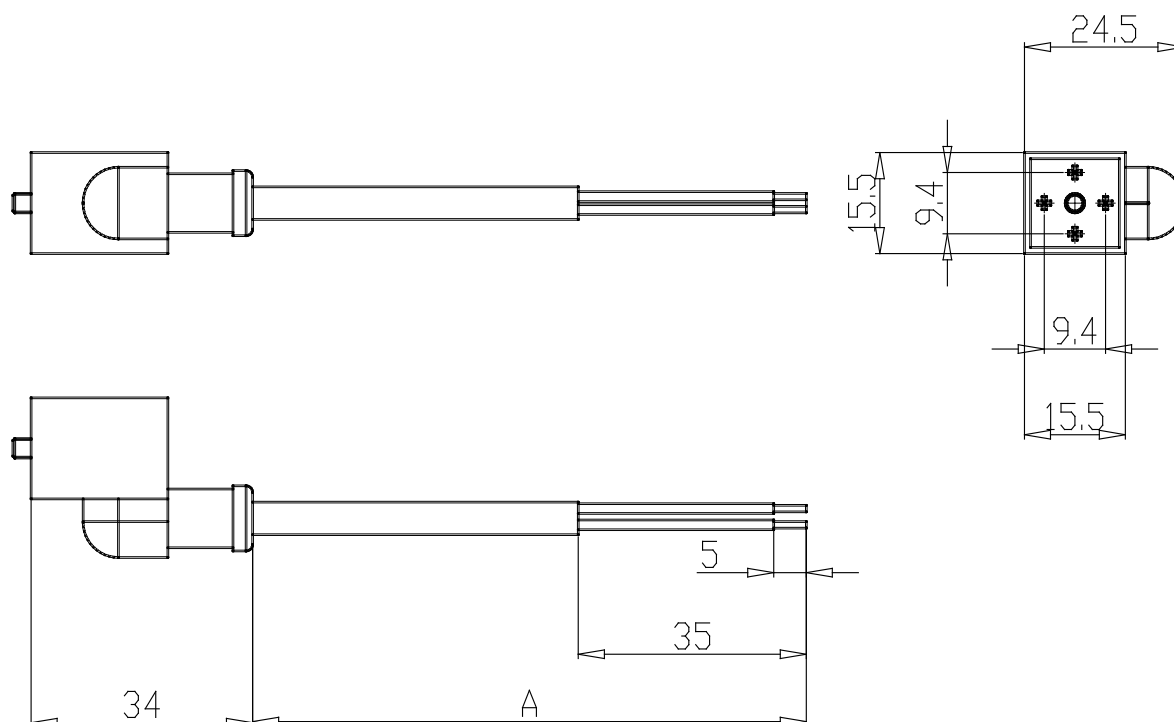


TECHNICAL DATA

Mod.	125-503-2
Description	in-line moulded cable with diode + Led
Colour	Black
Working voltage	24V DC
Cable length [L] (mm)	2000
Cable holding	-
Tightening torque	0.3Nm

In-line connectors with cable - Mod. 125-500

Product code: 125-503-2



DIMENSIONS

Mod.	125-503-2
Description	in-line moulded cable with diode + Led
Colour	Black
Working voltage	24V DC
Cable length [L] (mm)	2000
Cable holding	-
Tightening torque	0.3Nm