

## In-line connectors with cable - Mod. 125-500

Product code: 125-503-5

Datasheet creation date: 07/03/2025 16:12

Check the most updated document online [click here](#)

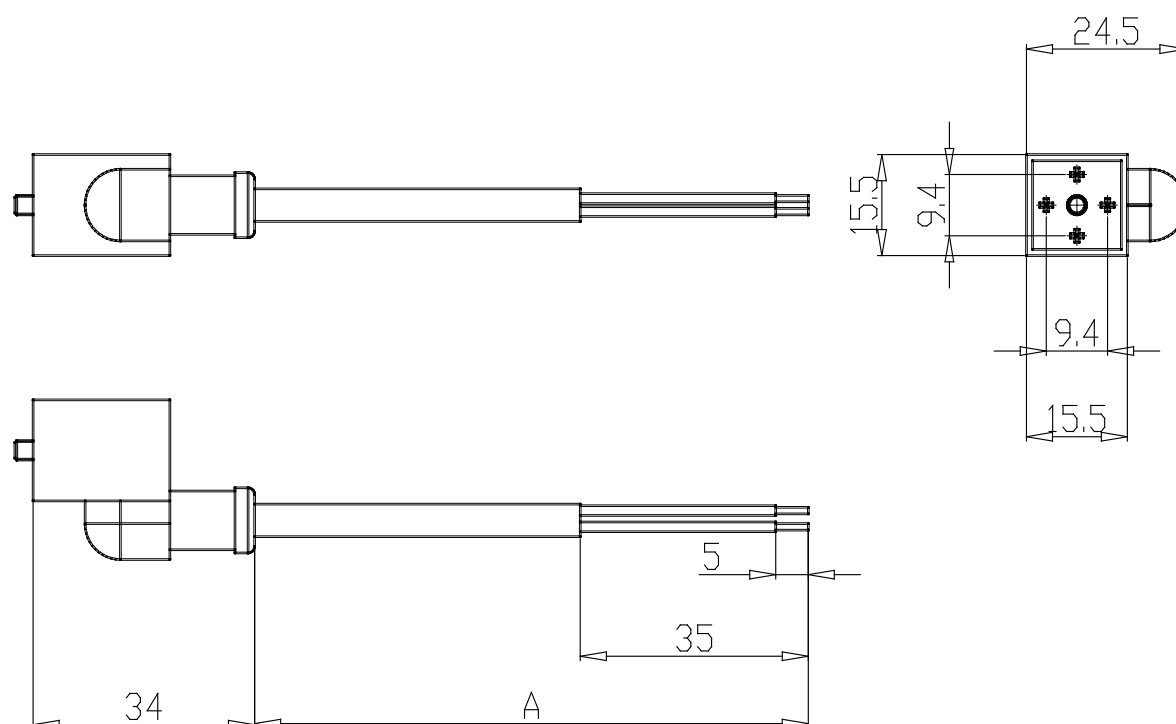


### TECHNICAL DATA

<b>Mod.</b>	125-503-5
<b>Description</b>	in-line moulded cable with diode + Led
<b>Colour</b>	Black
<b>Working voltage</b>	24V DC
<b>Cable length [ L ] (mm)</b>	5000
<b>Cable holding</b>	-
<b>Tightening torque</b>	0.3Nm

## In-line connectors with cable - Mod. 125-500

Product code: 125-503-5



### DIMENSIONS

<b>Mod.</b>	125-503-5
<b>Description</b>	in-line moulded cable with diode + Led
<b>Colour</b>	Black
<b>Working voltage</b>	24V DC
<b>Cable length [ L ] (mm)</b>	5000
<b>Cable holding</b>	-
<b>Tightening torque</b>	0.3Nm