

- Connettore Mod. 125-... DIN 43650

Product code: 125-571-3

Datasheet creation date: 07/03/2025 16:12

Check the most updated document online [click here](#)

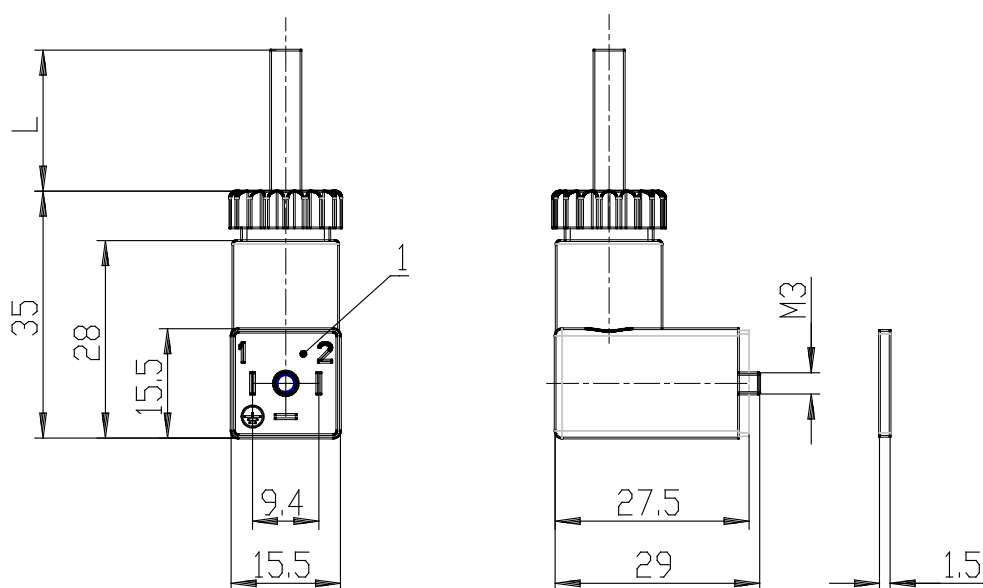


TECHNICAL DATA

Mod.	125-571-3
------	-----------

- Connettore Mod. 125-... DIN 43650

Product code: 125-571-3



1 = CONNETTORE ORIENTABILE DI 90°

DIMENSIONS

Mod.	125-571-3
------	-----------