

Connector Mod. 125-... DIN 43650 (9,4mm) - Mod. 125-...

Product code: 125-601

Datasheet creation date: 07/03/2025 16:12

Check the most updated document online [click here](#)

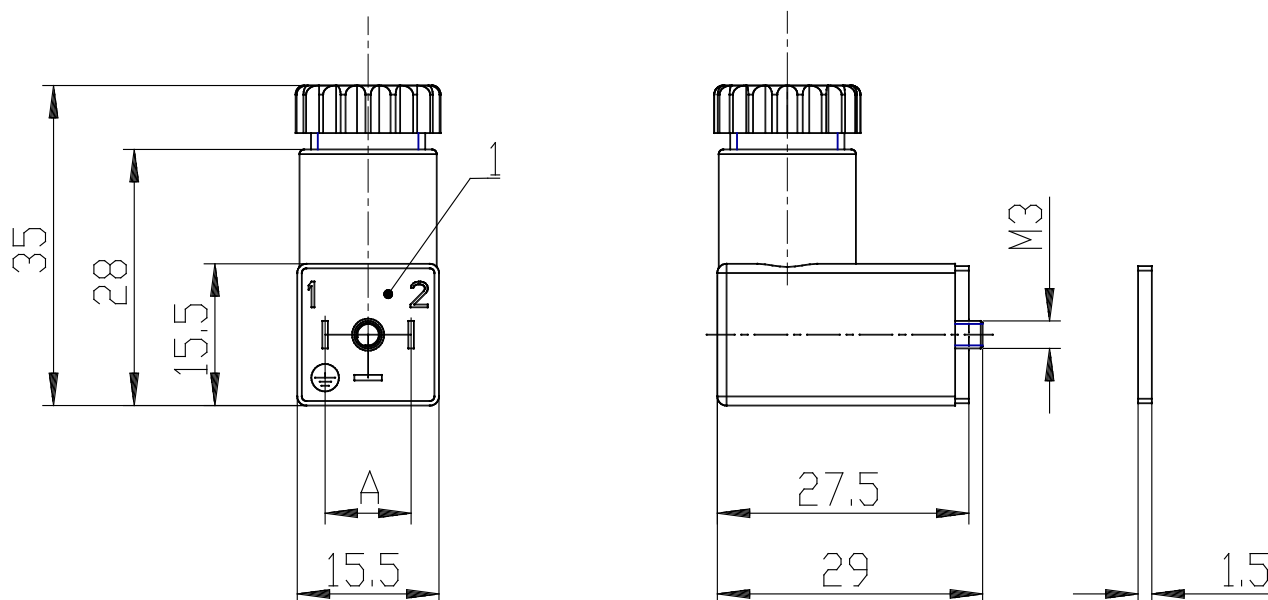


TECHNICAL DATA

Mod.	125-601
Description	Connector, diode + Led
Colour	transparent
Working (V)	10/50 V DC
Cable length (mm)	-
Tightening torque (mm)	0.3Nm
Cable holding	PG7

Connector Mod. 125-... DIN 43650 (9,4mm) - Mod. 125-...

Product code: 125-601



DIMENSIONS

Mod.	125-601
Description	Connector, diode + Led
Colour	transparent
Working (V)	10/50 V DC
Cable length (mm)	-
Tightening torque (mm)	0.3Nm
Cable holding	PG7