

## Connector Mod. 125-... DIN 43650 (9,4mm) - Mod. 125-...

Product code: 125-800

Datasheet creation date: 07/03/2025 16:12

Check the most updated document online [click here](#)

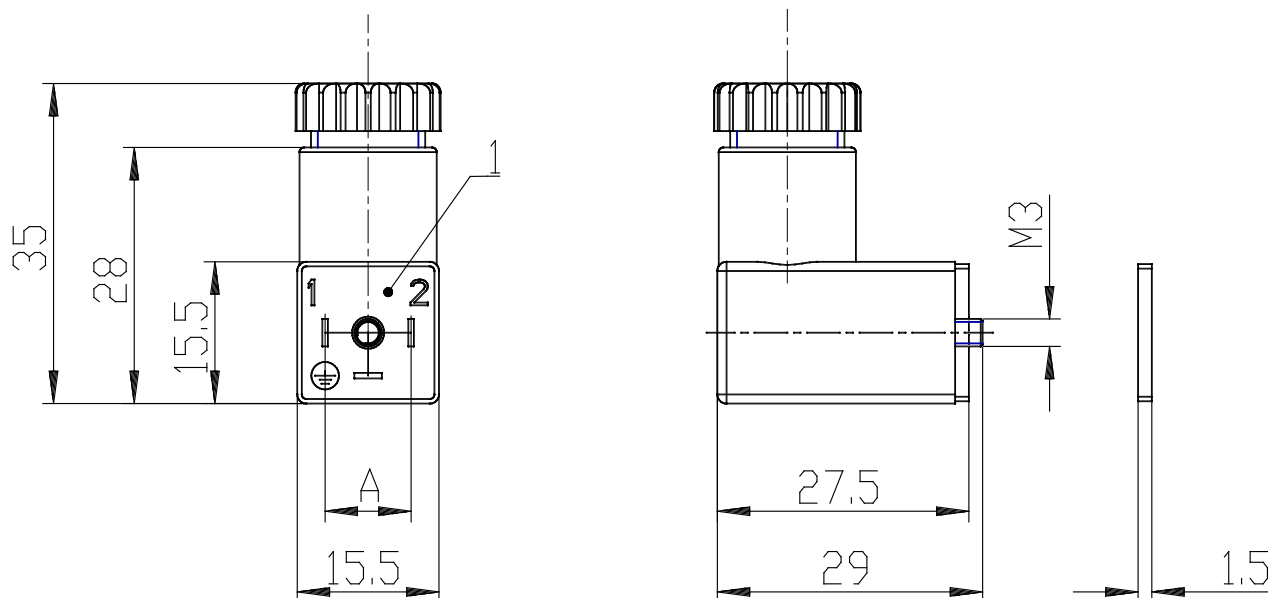


### TECHNICAL DATA

<b>Mod.</b>	125-800
<b>Description</b>	Connector, without electronics
<b>Colour</b>	Black
<b>Working (V)</b>	-
<b>Cable length (mm)</b>	-
<b>Tightening torque (mm)</b>	0.3Nm
<b>Cable holding</b>	PG7

## Connector Mod. 125-... DIN 43650 (9,4mm) - Mod. 125-...

Product code: 125-800



### DIMENSIONS

<b>Mod.</b>	125-800
<b>Description</b>	Connector, without electronics
<b>Colour</b>	Black
<b>Working (V)</b>	-
<b>Cable length (mm)</b>	-
<b>Tightening torque (mm)</b>	0.3Nm
<b>Cable holding</b>	PG7