

Connector Mod. 125-... DIN 43650 (9,4mm) - Mod. 125-...

Product code: 125-900

Datasheet creation date: 07/03/2025 16:12

Check the most updated document online [click here](#)

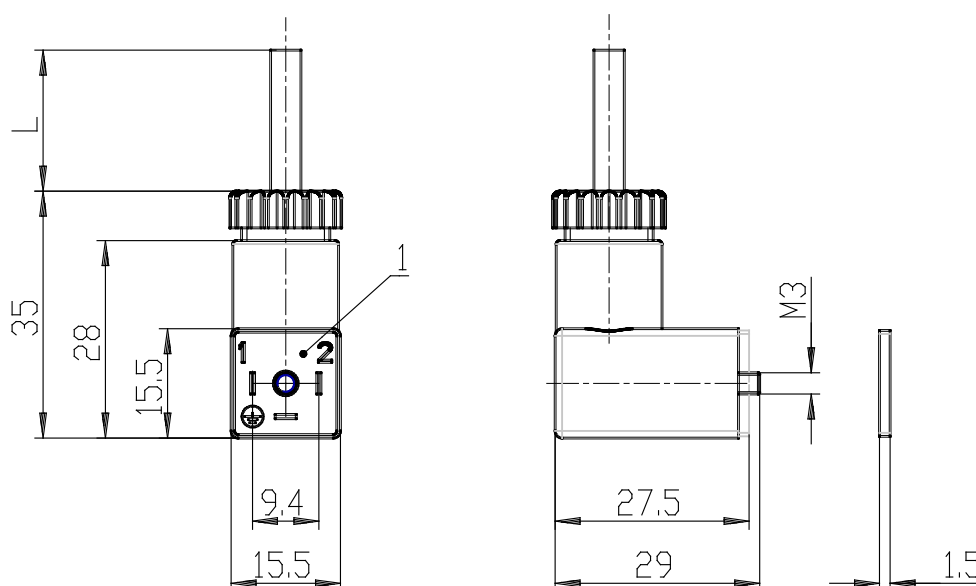


TECHNICAL DATA

Mod.	125-900
Description	pre-wired cable with voltage rectifier
Colour	Black
Working (V)	6V-11V AC/DC
Cable length (mm)	2000
Tightening torque (mm)	0.3Nm
Cable holding	PG7

Connector Mod. 125-... DIN 43650 (9,4mm) - Mod. 125-...

Product code: 125-900



1 = CONNETTORE ORIENTABILE DI 90°

DIMENSIONS

Mod.	125-900
Description	pre-wired cable with voltage rectifier
Colour	Black
Working (V)	6V-11V AC/DC
Cable length (mm)	2000
Tightening torque (mm)	0.3Nm
Cable holding	PG7