

Connector Mod. 126-... DIN EN 175 301-803-C (8mm) - Series W

Product code: 126-800

Datasheet creation date: 07/03/2025 16:12

Check the most updated document online [click here](#)

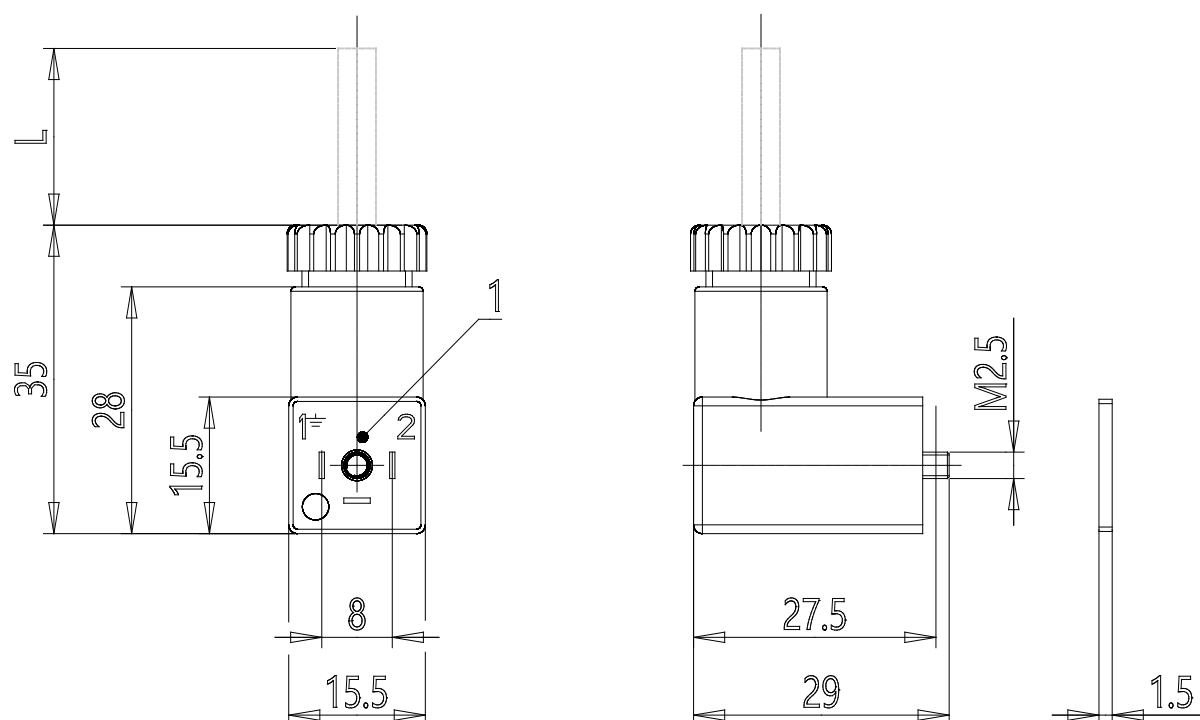


TECHNICAL DATA

Mod.	126-800
Description	Connector, without electronics
Colour	Black
Operating voltage (V)	-
Cable length (mm)	-
Tightening torque (mm)	0.3Nm
Cable holding	PG7

Connector Mod. 126-... DIN EN 175 301-803-C (8mm) - Series W

Product code: 126-800



DIMENSIONS

Mod.	126-800
Description	Connector, without electronics
Colour	Black
Operating voltage (V)	-
Cable length (mm)	-
Tightening torque (mm)	0.3Nm
Cable holding	PG7