

Electronic control device for proportional valves - Series 130

Product code: 130-213

Datasheet creation date: 10/03/2025 10:53

Check the most updated document online [click here](#)

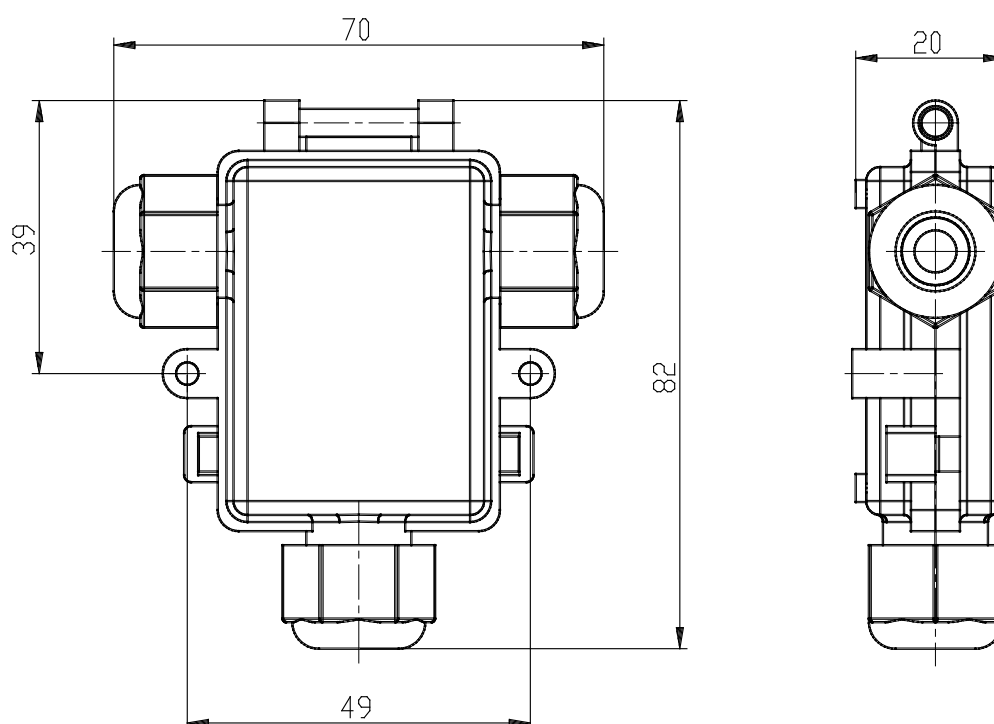


TECHNICAL DATA

Series	130
Voltage	2= 24V DC (Pmax 24W)
Power	1= 3W
Frequency	3= 1KHz

Electronic control device for proportional valves - Series 130

Product code: 130-213



DIMENSIONS

Series	130
Voltage	2= 24V DC (Pmax 24W)
Power	1= 3W
Frequency	3= 1KHz