

## Electronic control device for proportional valves - Series 130

Product code: 130-233

Datasheet creation date: 10/03/2025 10:53

Check the most updated document online [click here](#)

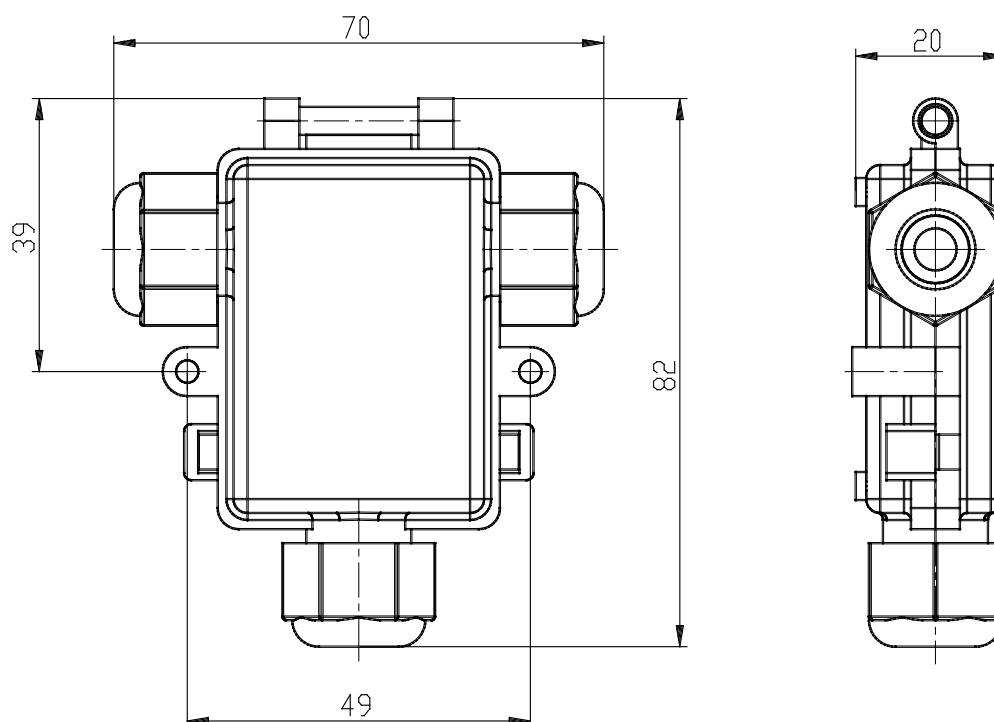


### TECHNICAL DATA

<b>Series</b>	130
<b>Voltage</b>	2= 24V DC (Pmax 24W)
<b>Power</b>	3= 3.2W
<b>Frequency</b>	3= 1KHz

## Electronic control device for proportional valves - Series 130

Product code: 130-233



### **DIMENSIONS**

<b>Series</b>	130
<b>Voltage</b>	2= 24V DC (Pmax 24W)
<b>Power</b>	3= 3.2W
<b>Frequency</b>	3= 1KHz