

Electronic control device for proportional valves - Series 130

Product code: 130-533

Datasheet creation date: 10/03/2025 10:54

Check the most updated document online [click here](#)

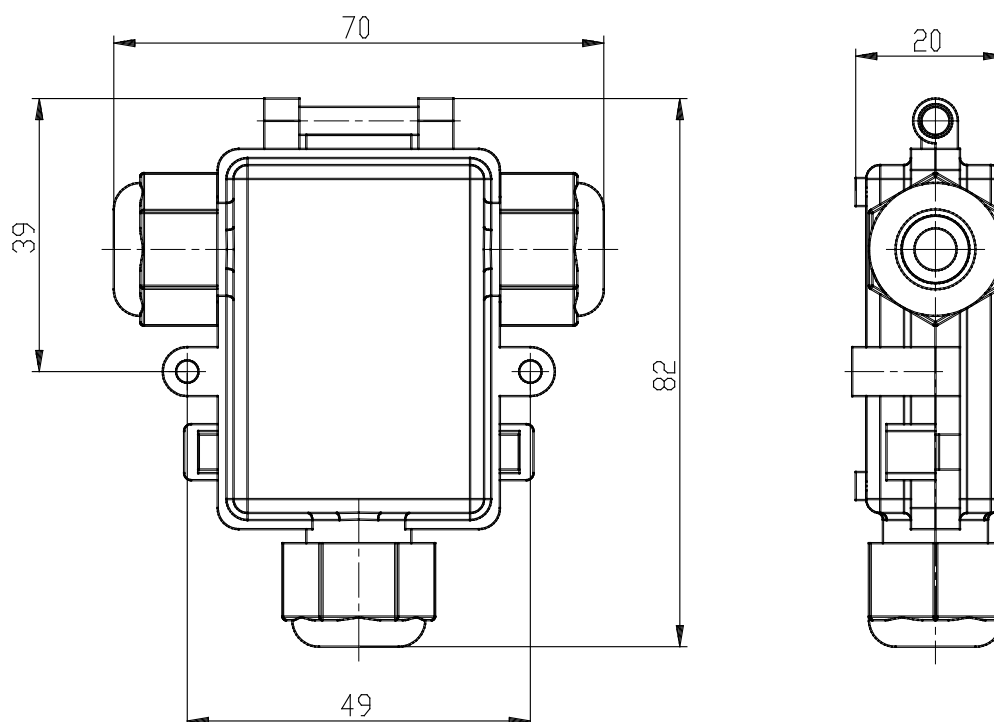


TECHNICAL DATA

Series	130
Voltage	5= 11V DC (Pmax 11W)
Power	3= 3.2W
Frequency	3= 1KHz

Electronic control device for proportional valves - Series 130

Product code: 130-533



DIMENSIONS

Series	130
Voltage	5= 11V DC (Pmax 11W)
Power	3= 3.2W
Frequency	3= 1KHz