

## - Fittings Mod. 1310

Product code: 1310 10

Datasheet creation date: 10/03/2025 10:45

Check the most updated document online [click here](#)

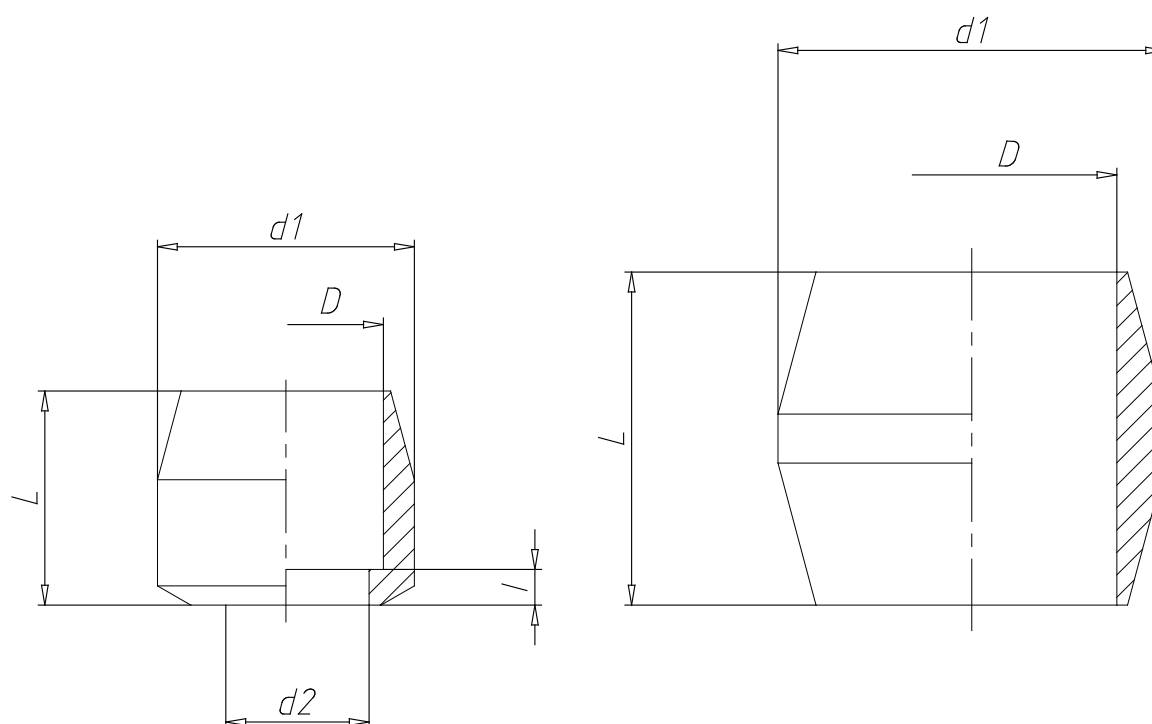


### ■ TECHNICAL DATA

Mod.	1310 10
------	---------

## - Fittings Mod. 1310

Product code: 1310 10



### ■ DIMENSIONS

<b>D (mm)</b>	10
<b>d1 (mm)</b>	13.8
<b>d2 (mm)</b>	9.0
<b>l (mm)</b>	1.5
<b>L (mm)</b>	11.5
<b>Biconical</b>	-