

- Fittings Mod. 1310

Product code: 1310 12-M18

Datasheet creation date: 10/03/2025 10:45

Check the most updated document online [click here](#)

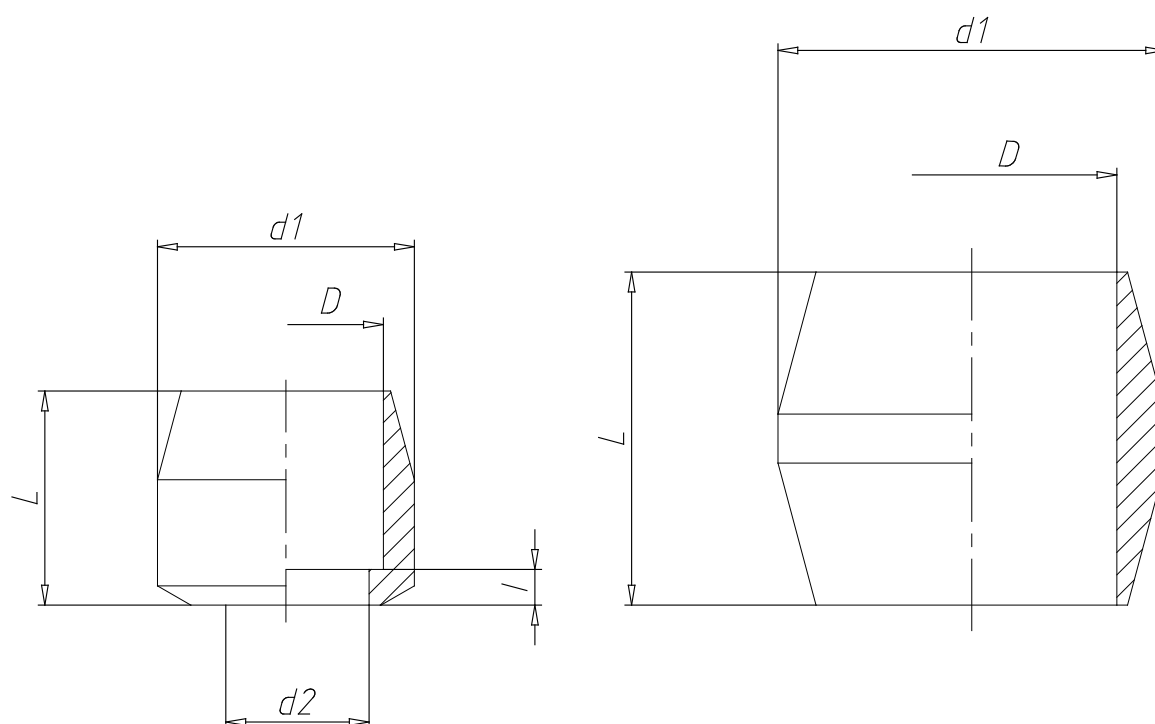


■ TECHNICAL DATA

Mod.	1310 12-M18
------	-------------

- Fittings Mod. 1310

Product code: 1310 12-M18



■ DIMENSIONS

D (mm)	12
d1 (mm)	16.3
d2 (mm)	0.0
l (mm)	-
L (mm)	11.0
Biconical	Biconica