

- Fittings Mod. 1310

Product code: 1310 4

Datasheet creation date: 10/03/2025 10:45

Check the most updated document online [click here](#)

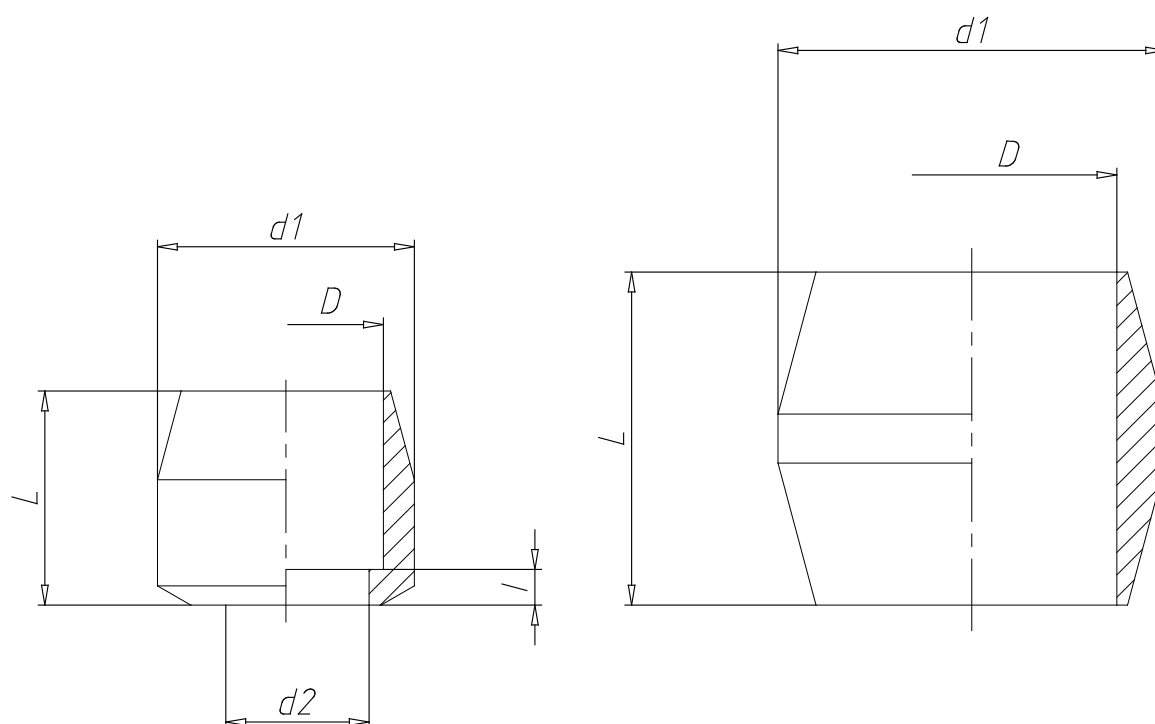


■ TECHNICAL DATA

Mod.	1310 4
------	--------

- Fittings Mod. 1310

Product code: 1310 4



■ DIMENSIONS

D (mm)	4
d1 (mm)	7.8
d2 (mm)	3.0
l (mm)	1.0
L (mm)	8.0
Biconical	-