

Manually operated valves - Series 1,3,4

Product code: 134-935

Datasheet creation date: 10/03/2025 12:05

Check the most updated document online [click here](#)

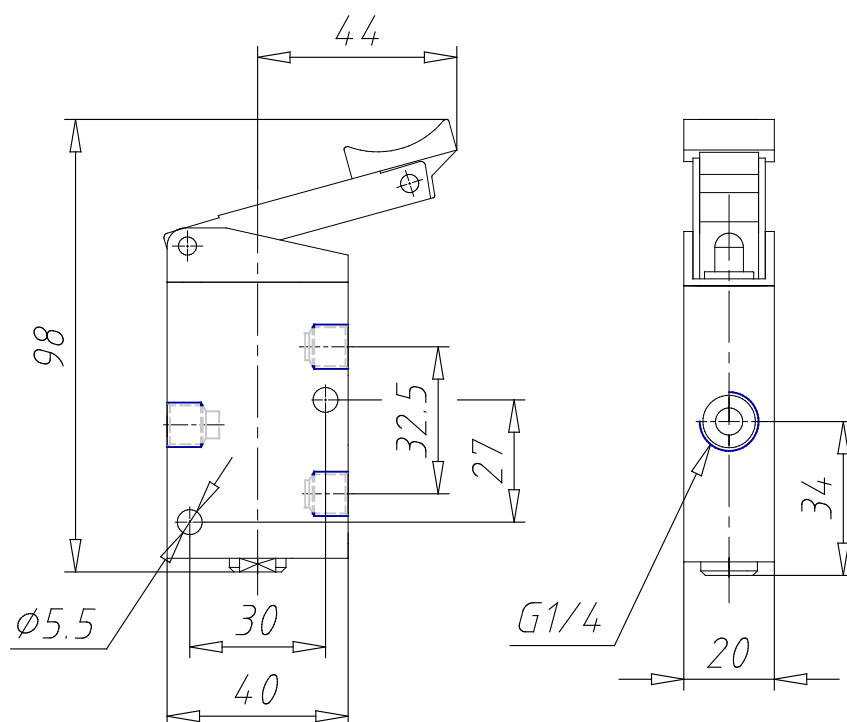


TECHNICAL DATA

Mod.	134-935
Actuating force (N)	40
Operating pressure (bar)	0÷10
Flow rate (Nl/min)	1250

Manually operated valves - Series 1,3,4

Product code: 134-935



DIMENSIONS

Mod.	134-935
Actuating force (N)	40
Operating pressure (bar)	0÷10
Flow rate (NI/min)	1250