

## Manually operated valves - Series 1,3,4

Product code: 138-900

Datasheet creation date: 10/03/2025 12:05

Check the most updated document online [click here](#)

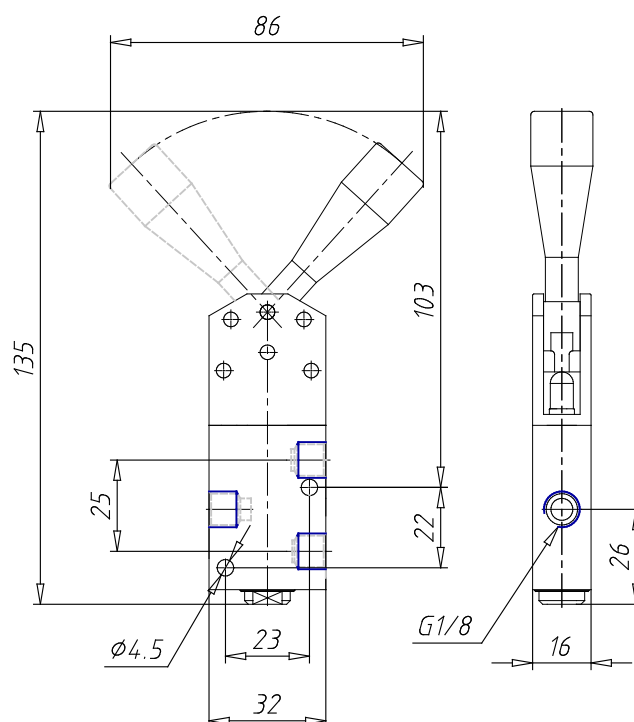


### TECHNICAL DATA

<b>Mod.</b>	138-900
<b>Actuating force (N)</b>	25
<b>Operating pressure (bar)</b>	0÷10
<b>Flow rate (Nl/min)</b>	500

## Manually operated valves - Series 1,3,4

Product code: 138-900



### DIMENSIONS

Mod.	138-900
Actuating force (N)	25
Operating pressure (bar)	0÷10
Flow rate (NI/min)	500