

Manually operated valves - Series 1,3,4

Product code: 138-935

Datasheet creation date: 10/03/2025 12:05

Check the most updated document online [click here](#)

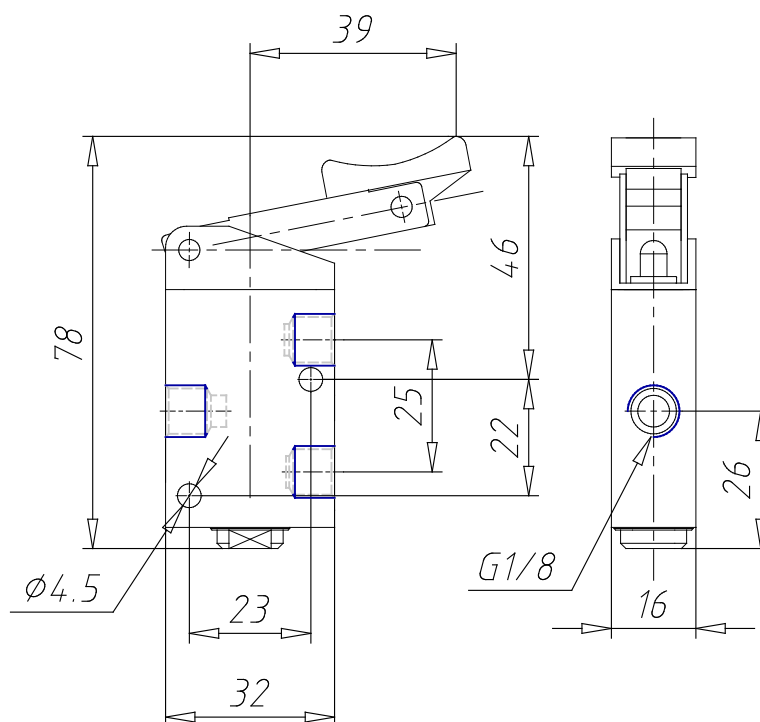


TECHNICAL DATA

| | |
|---------------------------------|---------|
| Mod. | 138-935 |
| Actuating force (N) | 38 |
| Operating pressure (bar) | 0÷10 |
| Flow rate (Nl/min) | 500 |

Manually operated valves - Series 1,3,4

Product code: 138-935



DIMENSIONS

| | |
|---------------------------------|---------|
| Mod. | 138-935 |
| Actuating force (N) | 38 |
| Operating pressure (bar) | 0÷10 |
| Flow rate (NI/min) | 500 |