

## Mechanically operated valves - Series 1 and 3 / 138-955

Product code: 138-955

Datasheet creation date: 10/03/2025 12:05

Check the most updated document online [click here](#)

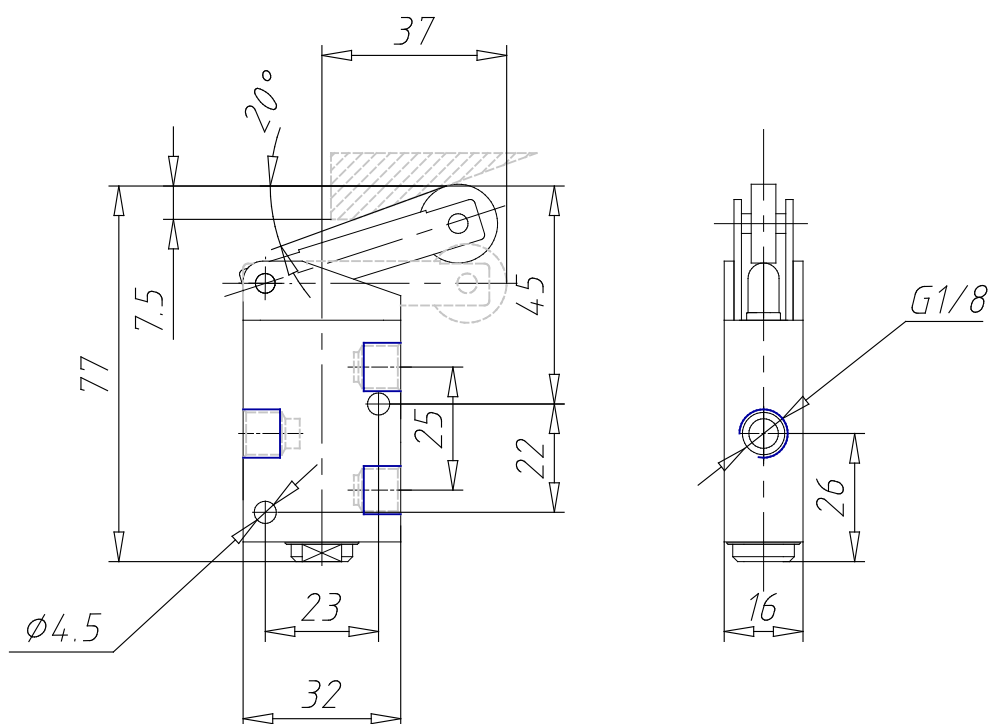


### TECHNICAL DATA

|                                 |                          |
|---------------------------------|--------------------------|
| <b>Mod.</b>                     | 138-955                  |
| <b>Operating pressure (bar)</b> | 0÷10 bar                 |
| <b>Flow rate</b>                | 500NL/min                |
| <b>Actuating force</b>          | 36N                      |
| <b>Activity</b>                 | Actuating lever / roller |

## Mechanically operated valves - Series 1 and 3 / 138-955

Product code: 138-955



### DIMENSIONS

|                                 |                          |
|---------------------------------|--------------------------|
| <b>Mod.</b>                     | 138-955                  |
| <b>Operating pressure (bar)</b> | 0÷10 bar                 |
| <b>Flow rate</b>                | 500NL/min                |
| <b>Actuating force</b>          | 36N                      |
| <b>Activity</b>                 | Actuating lever / roller |