

## - Fittings Mod. 1541

Product code: 1541 10/8-1/4

Datasheet creation date: 10/03/2025 08:56

Check the most updated document online [click here](#)

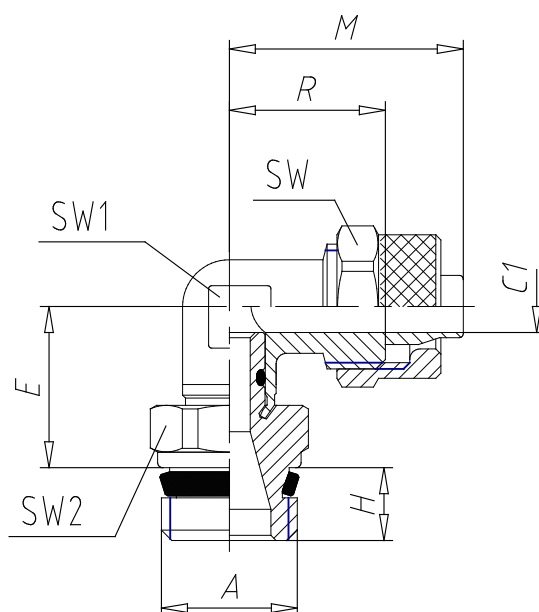


### ■ TECHNICAL DATA

Mod.	1541 10/8-1/4
------	---------------

## - Fittings Mod. 1541

Product code: 1541 10/8-1/4



### ■ DIMENSIONS

<b>Tube</b>	10/8
<b>A</b>	G 1/4
<b>C1 (mm)</b>	6.5
<b>E (mm)</b>	16
<b>H (mm)</b>	7.0
<b>M (mm)</b>	25.5
<b>R (mm)</b>	17
<b>SW (mm)</b>	16
<b>SW1 (mm)</b>	12
<b>SW2 (mm)</b>	14