

- Fittings Mod. 1560

Product code: 1560 10/8-3/8

Datasheet creation date: 10/03/2025 08:56

Check the most updated document online [click here](#)

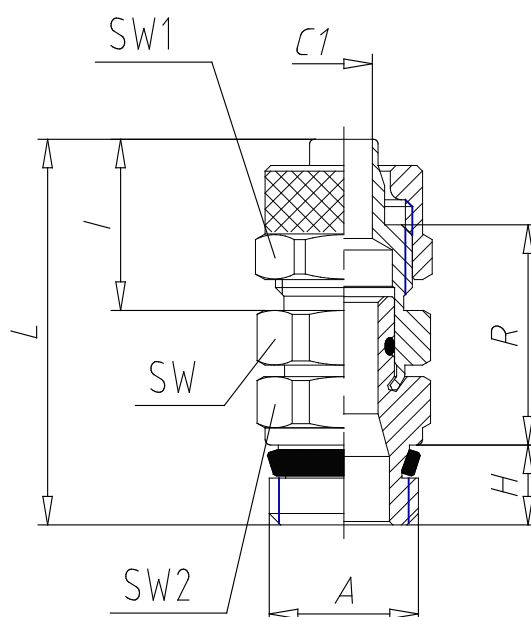


■ TECHNICAL DATA

Mod.	1560 10/8-3/8
------	---------------

- Fittings Mod. 1560

Product code: 1560 10/8-3/8



■ DIMENSIONS

Tube	10/8
A	G 3/8
C1 (mm)	6.5
H (mm)	8.0
I (mm)	16.5
L (mm)	36.0
R (mm)	19.5
SW (mm)	14
SW1 (mm)	16
SW2 (mm)	19