

- Fittings Mod. 1580

Product code: 1580 10/8-6/4

Datasheet creation date: 10/03/2025 08:52

Check the most updated document online [click here](#)

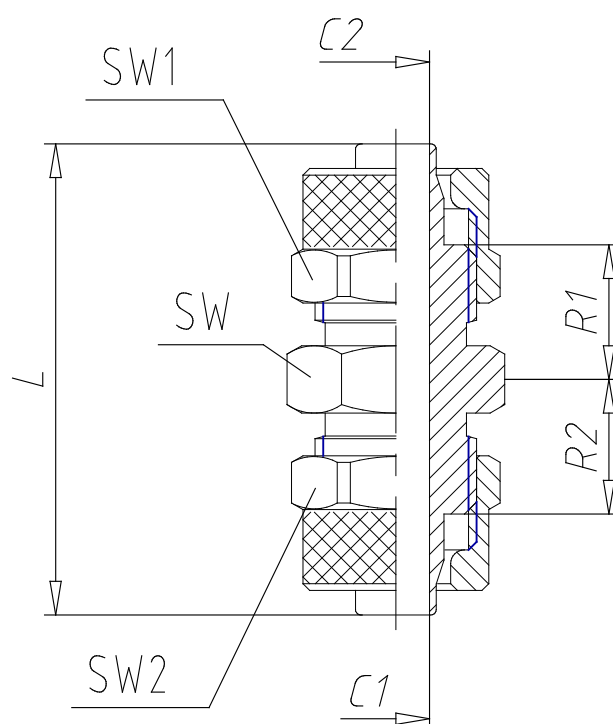


■ TECHNICAL DATA

Mod.	1580 10/8-6/4
------	---------------

- Fittings Mod. 1580

Product code: 1580 10/8-6/4



■ DIMENSIONS

Tube	10/8-6/4
C1 (mm)	6.5
C2 (mm)	3.0
L (mm)	36.5
R1 (mm)	10.50
R2 (mm)	10.00
SW (mm)	14
SW1 (mm)	12
SW2 (mm)	16