

- Fittings Mod. 1610

Product code: 1610 6/4-3/8

Datasheet creation date: 10/03/2025 08:53

Check the most updated document online [click here](#)

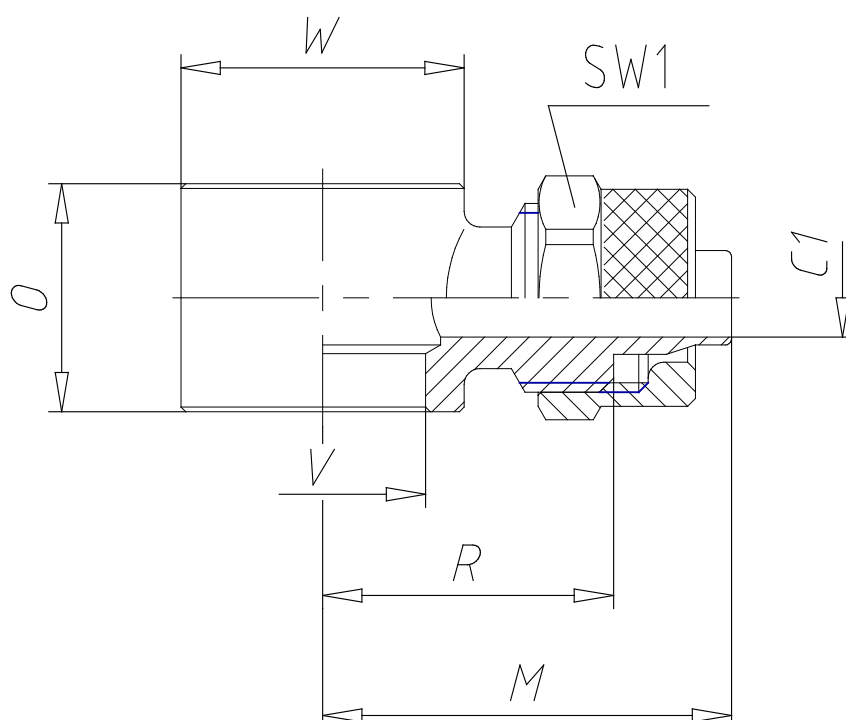


■ TECHNICAL DATA

Mod.	1610 6/4-3/8
------	--------------

- Fittings Mod. 1610

Product code: 1610 6/4-3/8



■ DIMENSIONS

Mod.	1610 6/4-3/8
Tube	6/4
C1 (mm)	3.0
M (mm)	28.0
O (mm)	14.5
R (mm)	20.5
V (mm)	16.7
W	Ø21
SW1 (mm)	12
Assembly	